

---

# Schema Change Request

Document ID	<b>1</b>
Change Type	“Bug Fix” or “Enhancement” or “New Requirement”
Title	MSATS functional enhancements
Date	14 February, 2003
Prepared By	Nada Reinprecht
Priority	

---

<i>Notes</i>
--------------

## Document Control

Version	Date	Author	Summary of Change
1.0	05/12/2002	Nada Reinprecht	
1.1	12/12/2002	Nada Reinprecht	List extended with 2 changes. Additional explanation for already submitted changes
1.2	17/12/2002	Nada Reinprecht	Added Approval Proposal for r10 draft schema
1.3	18/12/02	Nada Reinprecht	CATSSstreamlinedCRCodeRow added
1.3	19/12/02	Nada Reinprecht	Minor format changes
1.3	22/01/2003	Nada Reinprecht	Alteration of RM21 request and CATSNotification; Withdrawal of RegisterId request
1.4	24/01/2003	Bibhakar Saran	Copy & Paste release notes Added Dependency analysis and conformance report based on the latest information presented in the upated CR#1 document, i.e. version 1.5 & 1.6.
1.5	7/2/2003	Darren Field	Completed section 5.

## Document Status

### Sample Change Request Management (CRM) State Descriptions:

State	Definition	Access Control
<i>Submitted</i>	This state occurs as the result of 1) a new Change Request submission, 2) update of an existing Change Request or 3) consideration of a <i>Postponed</i> Change Request for a new release cycle. Change Request is placed in the CCB Review queue. No owner assignment takes place as a result of this action.	All Users
<i>Postponed</i>	Change Request is determined to be valid, but "out of scope" for the current release(s). Change Requests in the <i>Postponed</i> state will be held and reconsidered for future releases. A target release may be assigned to indicate the timeframe in which the Change Request may be <i>Submitted</i> to re-enter the CCB Review queue.	Admin Project Manager
<i>Duplicate</i>	A Change Request in this state is believed to be a duplicate of another Change Request that has already been submitted. Change Requests can be put into this state by the CCB Review Admin or by the team member assigned to resolve it. When the Change Request is placed into the <i>Duplicate</i> state, the Change Request number it duplicates will be recorded (on the Attachments tab in ClearQuest). A submitter should initially query the Change Request database for duplicates of a Change Request before it is submitted. This will prevent several steps of the review process and therefore save a lot of time. Submitters of duplicate Change Requests should be added to the notification list of the original Change Request for future notifications.	Admin Project Manager QE Manager Development

State	Definition	Access Control
	regarding resolution.	
<b>Rejected</b>	A Change Request in this state is determined by in the CCB Review Meeting or by the assigned team member to be an invalid request or more information is needed from the submitter. If already assigned ( <i>Open</i> ), the Change Request is removed from the resolution queue and will be reviewed again. A designated authority of the CCB is assigned to confirm. No action is required from the submitter unless deemed necessary, in which case the Change Request state will be changed to <b>More Info</b> . The Change Request will be reviewed again in the CCB Review Meeting considering any new information. If confirmed invalid, the Change Request will be <i>Closed</i> by the CCB and the submitter notified.	Admin Project Manager  Development Manager  Test Manager
<b>More Info</b>	Insufficient data exists to confirm the validity of a <b>Reject</b> or <b>Duplicate</b> Change Request. The owner automatically gets changed to the submitter who is notified to provide more data.	Admin
<b>Opened</b>	A Change Request in this state has been determined to be "in scope" for the current release and is awaiting resolution. It has been slated for resolution before an upcoming target milestone. It is defined as being in the "assignment queue". The meeting members are the sole authority for opening a Change Request into the resolution queue. If a Change Request of priority two or higher is found, it should be brought to the immediate attention of the QE or Development Manager. At that point they may decide to convene an emergency CCB Review Meeting or simply open the Change Request into the resolution queue instantly.	Admin Project Manager  Development Manager  QE Department
<b>Assigned</b>	An <b>Opened</b> Change Request is then the responsibility of the Project Manager to Assign Work based on the type of Change Request and update the schedule, if appropriate.	Project Manager
<b>Resolved</b>	Signifies that the resolution of this Change Request is complete and is now ready for verification. If the submitter was a member of the QE Department, the owner automatically gets changed to the submitting QE member; otherwise, it changes to the QE Manager for manual re-assignment.	Admin Project Manager  Development Manager  QE Manager  Development Department
<b>Test Failed</b>	A Change Request that fails testing in either a test build or a release build will be placed in this state. The owner automatically gets changed to the team member who resolved the Change Request.	Admin QE Department

State	Definition	Access Control
<i>Verified</i>	A Change Request in this state has been <i>Verified</i> in a test build and is ready to be included in a release.	Admin QE Department
<i>Closed</i>	Change Request no longer requires attention. This is the final state a Change Request can be assigned. Only the CCB Review Admin has the authority to close a Change Request. When a Change Request is <i>Closed</i> , the submitter will receive an email notification with the final disposition of the Change Request. A Change Request may be <i>Closed</i> : 1) after its <i>Verified</i> resolution is validated in a release build, 2) when its <i>Reject</i> state is confirmed, or 3) when it is confirmed as a <i>Duplicate</i> of an existing Change Request. In the latter case, the submitter will be informed of the duplicate Change Request and will be added to that Change Request for future notifications (see the definitions of states " <i>Reject</i> " and " <i>Duplicate</i> " for more details). If the submitter wishes to contest a closing, the Change Request must be updated and re- <i>Submitted</i> for CCB review.	Admin

---

## Contents

<b>Schema Change Request</b> .....	1
Document Control.....	2
Document Status .....	2
Contents .....	5
Tables.....	6
Figures .....	7
1. Change Proposal .....	8
1.1. Description of the proposed change .....	8
1.2. Reason for Change .....	8
1.3. Supplied Documents .....	9
1.3.1 Business process document.....	9
1.3.2 Data model .....	9
1.4. Impact assessments on Participant's systems.....	9
1.4.1 Business Impact .....	9
1.4.2 Technical Impact.....	10
1.5. Affected Configuration Items (Baseline) .....	11
1.5.1 Schema.....	11
2. Approval Proposal .....	12
2.1. Description of the proposed approval .....	12
2.2. Configuration Items (New Baseline).....	12
2.2.1 Draft schema .....	12
2.2.2 Schema change description .....	12
2.2.3 Release notes.....	13
2.2.4 Change log .....	18
3. Proposal Assessment.....	19
3.1. Test.....	19
3.1.1 Test Platforms .....	19
3.1.2 Test Cases .....	19
3.2. Dependency analysis.....	20
3.3. Conformance Report.....	22
4. Review Disposition.....	23
4.1. Description of Changes - Approved and Accepted .....	23
4.2. Impact assessments on Participant's systems.....	24
4.2.1 Business Impact .....	24
4.2.2 Technical Impact.....	24
4.3. Supplied Documents .....	24
5. Resolution .....	25
5.1. Changes Approved and Accepted .....	25

---

## Tables

Table 1-1, Proposed Changes.....	8
Table 2-1, Proposed Change Approval .....	12
Table 3-1, Change Proposal Conformance Details .....	22
Table 4-1, Review Comments on conformance report (see 3.3 above) .....	23
Table 4-2, Review Notes for proposed approvals.....	23
Table 5-1, Change Resolution.....	25

## Figures

Nil

## 1. Change Proposal

### 1.1. Description of the proposed change

Table 1-1, Proposed Changes

Item#	Change Description	Change Type
1	Remove/replace enumeration 'RETURN' from AustralianStreetType.	Bug fix
2	TestResultAccuracy should allow for negative values.	Bug fix
3	Status element in ElectricityMeter type should not be nillable	Bug fix
4	Tables cats_networktariff_codes and cats_standing_data_access_rules to be included in C1 report	Enhancement
5	RegisterId in ElectricityMeterRegisterDetail to be mandatory instead of optional – This request is withdrawn as ASWG did not confirm that this change will not effect the B2B transactions.	Bug fix
6	RM21- Make FRMP optional in the RM21 report	New Requirement
7	RM16, RM19 and RM22 - Additional output element	New Requirement
8	RM11 Now available to participants with extra parameters	New Requirement
9	Additional information for CATSNotification: Jurisdiction Codes and NMI Class Codes of the NMI before requested change and Objection Dates. The ObjectionDate element, which currently exists in the schema, will be used to provide the date when objection was raised. In addition, the date when objection has to be cleared will be provided.	New Requirement
10	Add requested maximum number of rows to report parameters and replication parameters	Enhancement
11	Remove SiteName, NetworkTariffCode and EstablishmentInstructions from ElectricityMeter type, as they are not required any longer.	Enhancement
12	Provide replication for CATS_Streamlined_CR_codes	Enhancement

### 1.2. Reason for Change

1. As per 'Australian Standard - Interchange of client information', street type code must not have more than four characters. Street type 'RETURN' does not comply with this format. Two options can be utilized; remove 'RETURN' or replace it with corresponding appropriate type.
2. Negative values for TestResultAccuracy are justified by business requirements.
3. As per business requirements Meter Status can only be C or R. It cannot be null.
4. cats\_networktariff\_codes is introduced in MSATS 2 and as such should be included in C1 report. cats\_standing\_data\_access\_rules has been requested also to be included in C1 report.
5. Withdrawn.
6. To prevent LR from finding out who is the current retailer and to reduce number of RM21 reports that LR has to request . Initiated following discussion at the Reconciliation Workshop. This change is required as result of change in CATS procedures introduced by Jurisdictions.

In the process of defining of the MSATS notification rules for each jurisdiction by the TPWG & jurisdictions, the jurisdictions determined that the LR should not be notified when a lost 2 tier customer transfers retailer i.e. they should not be informed who the retailer is of a lost customer . It was seen as a competitive advantage of a LR over any other retailer if they knew the current retailer of their lost customers.



All jurisdictions have signed off the change of retailer change request notification rules, and this specifically does not include notification to the LR on a change of retailer

7. Enhancements requested by Retailers.
8. To make more useful RM11 report (especially allow for 2<sup>nd</sup> Tier report only) and improve its performance so that it can be made available to Participants. Requested by MDPs.
9. To determine objection periods and allowable objection codes.

Participants want to receive Jurisdiction codes and NMI Class codes in change request notifications so that they can determine objection periods and allowable objection codes etc.

The ObjectionEndDate will be provided for Participants to know how long they have to object.

Business requirement details, as specified by TPWG are provided in the CATSNotification\_change.xls document.

10. To allow for specification of the maximum number of rows in the report requested by Participant. Currently, these limits are fixed and may or may not suit all participants.
11. To remove obsolete elements: SiteName, NetworkTariffCode and Establishment instructions as they have been replaced by the other elements in the MSATS 2.
12. New table, CATS\_STREAMLINED\_CR\_CODES is introduced. The table is used to identify the codes that have 1<sup>st</sup> tier validations enforced. Participants need to be notified if this table changes.

### 1.3. Supplied Documents

#### 1.3.1 Business process document

'CATSNotification\_change.xls' document contains selection from Issue Register discussed at TPWG.

#### 1.3.2 Data model

### 1.4. Impact assessments on Participant's systems

#### 1.4.1 Business Impact

1. This change is in the Common schema and as such it may affect participants from gas and electricity market. The participants from the electricity market were not able to use RETURN as it would have generated an error message on the application level. As result, this change will not have impact to participants in the electricity market. The gas participants (VicGas) may be affected by this change and the level of impact needs to be investigated. The option to replace 'RETURN' with appropriate type need to be considered. Possible previously mentioned replacement could be 'RTRN'.
2. Inability to supply negative values for Test Result Accuracy was preventing participants at the electricity market to exchange business valid data. This change will remove this constraint and allow them to exchange required values. As Test Result Accuracy is used in the Electricity Meter, it will not have impact to the gas market.
3. Business rules do not allow null for meter status. The participants should not have been sending nulls and this change will only correct possible incorrect processing.
4. Participants in the electricity market will be able to obtain the content of the cats\_network\_tariff\_codes and cats\_standing\_data\_access as they obtain for the other tables. No effect to participants in the gas market.
5. Withdrawn

6. The proposed changes to the RM21 report are to make the FRMP optional in the report inputs (MDP is also optional). This will allow for no provision of the FRMP. At the present time, the LR has to request RM21 reports for all FRMPs at that TNI (The LR is not notified by CATS of a change of Retailer when one of their lost customers change retailers again – Jurisdictional decision). This change will reduce the number of RM21 reports that the LR has to request. Also the current RM21 report allows the LR to find out who is the current retailer.
7. The proposed changes to the RM16, RM19 and RM22 reports is to specify what type of settlement run it is. This has been requested by Retailers.
8. The proposed changes to RM11 report are to make it more useful (especially allow for 2<sup>nd</sup> Tier report only) and improve its performance so that it can be made available to participants.  
  
The new RM11 report will provide for the selection of a “2<sup>nd</sup> tier only” or an “all data” report MDP. The new report will also provide for the selection of either interval or non-interval meters.
9. Participants will be able to determine objection periods and allowable objection codes.
10. Participants will be able to determine the size of the report to suit their capabilities and needs.
11. These elements remained in the schema to allow for interoperability between MSATS 1.1 and MSATS 2 applications. As the interoperability period ends on 12 December and Participants upgraded their systems to MSATS version 2, the removal of these elements will not affect them.
12. Participants will be able to obtain information on CATS\_STREAMLINED\_CR\_CODES table

#### 1.4.2 Technical Impact

1. For electricity participants, if they have ‘RETURN’ street type in their databases, should look for replacement with one of ‘standard’ types. For Gas participants, should assess the number of affected participants and possible impact.
2. Does not have effect to the participants systems.
3. As null for status is erroneous value from business prospective, it is not expected that participants’ systems generate it as regular part of their application. The impact of this change to their systems is therefore minimal.
4. Participants in the electricity market will need to extend their systems to accept two new rows as part of C1 report. The rows will use standard row format. This will minimize development efforts, as they will be able to reuse already developed code for the other rows. No impact is expected for participants in Gas market or B2B processes.
5. Withdrawn.
6. As FRMP is a mandatory element in the RM21 report parameters, Participants will need to change their applications in order to exclude this parameter when they send request. Also, when they receive the report from MSATS, and ReportParameters element is included in the ReportResponse, they will need to correct their applications so they do not expect and process FRMP. The change affects the electricity market participants. In order to allow for transitional period the FRMP will be made optional so the change in software can be implemented in the Participants own time.
7. RM16 report is unsolicited and generated by MSATS. An additional parameter in the ReportParameters may or may not be used by Participants, depending on their decision. The impact to Participants is therefore minimal. Electricity market participants are affected. The same parameters are used by RM19 and RM22 reports.
8. The RM11 report will require extension of the Report Parameters with following elements: DataType and NMISelection. DataType can be Interval or Consumption while NMISelection can be 2TierNMIs or All NMIs. The report has not yet been provided to Participants and they will need to build the applications to process it. Electricity Market participants are affected.
9. Participants in the Electricity market will need to extend their applications to process additional elements: NMIClassCodes, JurisdictionCodes, and the objection dates.

Effect to Vencorp:

As long as the additional elements are made optional then the impact would be:

- update gateway with new schema
- some configuration changes to change schema namespace and location
- regression testing

These transactions are only initiated by VENCORP, not received, so the onus on updating to the new schema would be on the receiving participants. Once they are able to receive the new schema version - there is no change to the transactions that VENCORP would send - VENCORP could update and use the updated schema.

10. The MaximumRows will be an optional element and Participants can utilize it in their own time.

MSATS will not send this element in the ReportResponse, so they will not need to adjust their systems.

This change however causes the upgrade of the transactions version number for the following transactions:

- o ReplicationRequest
- o ReplicationNotification
- o ReportRequest
- o ReportResponse

As result, Participants will need to change their applications to include the new version number.

11. As all participants upgraded their system to MSATS 2 version, removal of the above listed elements will not cause any change in their systems.

12. Participants in the Electricity Market will need to adjust their systems to accept and process the new row.

## 1.5. Affected Configuration Items (Baseline)

### 1.5.1 Schema

The ASWG has determined that the aseXML r9 version 1.5 will be baseline for the development of the new schema.

## 2. Approval Proposal

### 2.1. Description of the proposed approval

The table below defines the action in relation to each change item as listed in the Description of the proposed change section.

*Note: Item# is a reference to items listed in the Description of the proposed change. In case, where this list does not exactly match the proposed changes, the items listed are grouped for each proposed change.*

Table 2-1, Proposed Change Approval

Item #	Proposal Notes	Category	Action
1	Enumeration 'RETURN' from AustralianStreetType removed.	Bug fix	Approved
2	TestResultAccuracy should allow for negative values.	Bug fix	Approved
3	Status element in ElectricityMeter type is not nillable	Bug fix	Approved
4	Tables cats_networktariff_codes and cats_standing_data_access_rules included in C1 report	Enhancement	Approved
5	Withdrawn	Bug fix	Approved
6	RM21- make FRMP optional in the RM21 report	New Requirement	Not assessed
7	RM16, RM19 and RM22 – Report parameters extended with SettlementRun	New Requirement	Approved
8	RM11 – Report parameters extended with DataType and NMISelection	New Requirement	Approved
9	CATSNotification extended with Jurisdiction Code, NMI Classification Code and ObjectionEndDate.	New Requirement	Not Assessed
10	Add requested maximum number of rows to report parameters and replication parameters	New Requirement	Approved
11	SiteName, NetworkTariffCode and EstablishmentInstructions removed from ElectricityMeter type.	Enhancement	Approved
12	A row created for CATS_STREAMLINED_CR_CODES table	Enhancements	Approved

### 2.2. Configuration Items (New Baseline)

The ASWG establishes a new baseline as a result of the Change Proposal approval and publishes the listed "Draft" documents for wider consultation with market participants.

#### 2.2.1 Draft schema

The aseXML\_r10\_n1\_draft schema is attached.

#### 2.2.2 Schema change description

The following changes have been implemented:

Ref#	Description	FileName	CR Item# or Ref
1	AseXML namespace change and include modified files	aseXML	3.2.5
2	Added type definition for Release Identifier value "r10"	Events	3.2.5
3	Removed street type value "RETURN" from the enumerated list <i>AustralianStreetType</i>	ClientInformation	1
4	<i>MeterTestResultAccuracy</i> extended to allow for negative values	Common	2
5	Removed nillable attribute from the <i>MeterStatus</i>	Electricity	3

Ref#	Description	FileName	CR Item# or Ref
6	Added following rows: <i>CATSTableReplication</i> and <i>CATSTableReplication</i>	CATSTableReplication	4
7	Version attribute of the above derived complex type set to r10 as a result of <i>above</i> change	CATSTableReplication	3.2.8
8	RM21 – Data element FRMP changed to optional in <i>MDMTLevel2SettlementReconciliationReportParameters</i>	MDMTReports	6
9	Version attribute of the above derived complex type set to r10 as a result of <i>above</i> change	MDMTReports	3.2.8
10	RM16, RM19, RM22 - Added data element SettlementRun as enumerated values of (RREV1, RREV2, SPECIAL, PRELIMINARY and FINAL) to the <i>MDMTSettlementCaseDateRangeReportParameters</i>	MDMTReports	7
11	Version attribute of the above derived complex type set to r10 as a result of <i>above</i> change	MDMTReports	3.2.8
12	RM11 - Added data elements DataType as enumerated values of (Interval or Consumption) and NMISelection as enumerated values of (SeconTierNMs or AllNMs) to the <i>MDMTMissignDataReportParameters</i>	MDMTReports	8
13	Version attribute of the above derived complex type set to r10 as a result of <i>above</i> change	MDMTReports	3.2.8
14	Appended optional data elements JurisdictionCode, NMIClassificationCode and ObjectionEndDate to <i>CATSNotification</i> complex type.	CustomerTransfer	9
15	Version attribute of CATSNotification transaction modified to r10 as a result of <i>above</i> change	CustomerDetails	3.2.8
16	<b>ReplicationParameter</b> extended with optional data element MaximumRows	TableReplication	10
17	Version attribute of ReplicationRequest and ReplicationNotification are modified to r10 as result of the above change	Table Replication	3.2.8
18	<b>BaseReportParameters</b> extended with optional data element MaximumRows	Reports	10
19	Version attribute of ReportRequest and ReportResponse are modified to r10 as result of the above change	Reports	
20	SiteName, NetworkTariffCode and EstablishmentInstructions removed from <b>ElectricityNMIMeterGroup</b>	CATSTableReplication	11
20	Version attribute on the: ElectricityNMIMeterRow, ElectricityNMIMeterBDT and ElectricityCATSChangeRequestNMIMeterRow modified to r10 as result of the above change	CATSTableReplication	3.2.8
20	Removed type definitions MeterSiteName and MeterEstablishmentInstruction	Common	11
21	Removed data elements SiteName, NetworkTarrifCode and EstablishmentInstructions from the <b>ElectricityMeter</b>	Electricity	11
22	Version attribute of the <b>ElectricityStandingData</b> complex type modified to r10 as a result of <i>above</i> change	Electricity	3.2.8
23	Added row <b>CATSSStreamlinedCRCodesRow</b>	CATSTableReplication	12
24	Version attribute of the above derived complex type set to r10 as a result of <i>above</i> change	CATSTableReplication	3.2.8
25	Version attribute of CustomerDetailsNotification transaction modified to r10 as a result of change in the address structure	CustomerDetails	3.2.8
26	Version attribute of ServiceOrderRequest, ServiceOrderNotification and also SpecialReadRequest and SpecialReadResponse transactions modified to r10 as a result of change in the address structure	ServiceOrder	3.2.8
27	Version attribute of GasStandingData modified to r10 as result of change in the address structure	Gas	3.2.8
28	Version attribute of AppointmentRequest and AppointmentResponse transactions modified to r10 as result of change in the address structure	Appointments	3.2.8

## 2.2.3 Release notes

### 2.2.3.1 Schema Manifest

The table below summarises the various schema releases and files included within those releases. The release identifier in the file name reflects when the file was last modified. All files included in a release are marked with a black tick. A cross means the file was removed from the release. The following legend is applied to the table:

- Files modified between r7 patch1 and r10 are marked with plum tick.
- Files modified between r9 and r10 are marked with purple tick.

File names	r10
Acknowledgements_r9.xsd	
Appointments_r10.xsd	✓
AseXML_r10.xsd	✓
BulkDataTool_r9	
CATSReports_r9.xsd	
CATSTableReplication_r10.xsd	✓
ClientInformation_r10.xsd	✓
Common_r10.xsd	✓
CustomerDetails_r10.xsd	✓
CustomerTransfer_r10.xsd	✓
Electricity_r10.xsd	✓
Events_r10.xsd	✓
Faults_r8.xsd	
Gas_r10.xsd	✓
Header_r9.xsd	
MDMTRReport_r10.xsd	✓
MeterDataManagement_r9.xsd	
NetworkBilling_r9.xsd	
NMIDataAccess_r9.xsd	
Reports_r10.xsd	✓
ServiceOrder_r10.xsd	✓
TableReplication_r10.xsd	✓
Transactions_r9.xsd	
Number of files included	23

### 2.2.3.2 File Change Summary

The section identifies and lists any changes between the various versions of the schema files and highlights any issues.

#### 2.2.3.2.1 Acknowledgements

- No change

#### 2.2.3.2.2 Appointments

- AppointmentRequest and AppointmentResponse transactions change version attribute to r10 as result of the change in the address.

#### 2.2.3.2.3 aseXML

- Changed aseXML namespace to aseXML:r10
- Changed names of included files affected by r10

#### 2.2.3.2.4 BulkDataTool

- No change

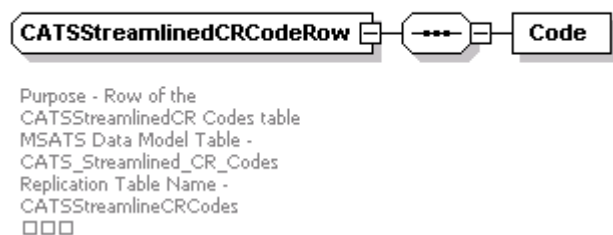
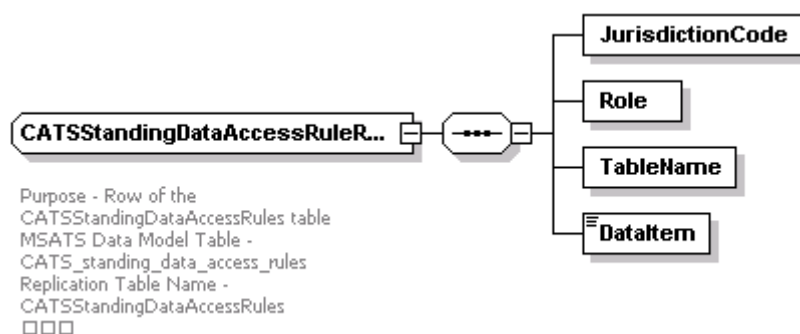
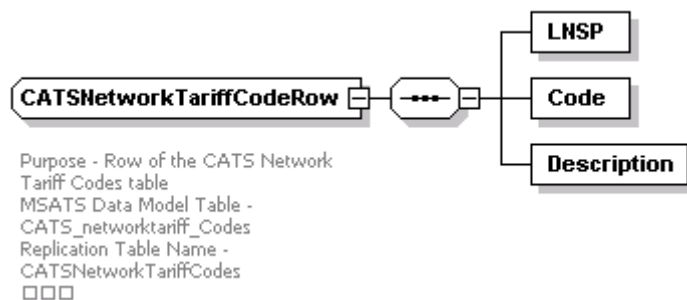
#### 2.2.3.2.5 CATSReport

- No change

#### 2.2.3.2.6 CATSTableReplication

- Following rows added:
  - CATSNetworkTariffCodeRow and
  - CATSStandingDataAccessRuleRow.
  - CATSStreamlinedCRCodesRow

The version number for the rows set to r10.



- SiteName, NetworkTariffCode and EstablishmentInstructions removed from ElectricityNMIMeterGroup.
- The version attribute on the ElectricityNMIMeterRow, ElectricityNMIMeterRowBDT and ElectricityCATSChangeRequestNMIMeterRow set to r10
- Version attribute of the ElectricityNMIMeterRegisterRow made optional

#### 2.2.3.2.7 ClientInformation

- Street type RETURN removed

#### 2.2.3.2.8 Common

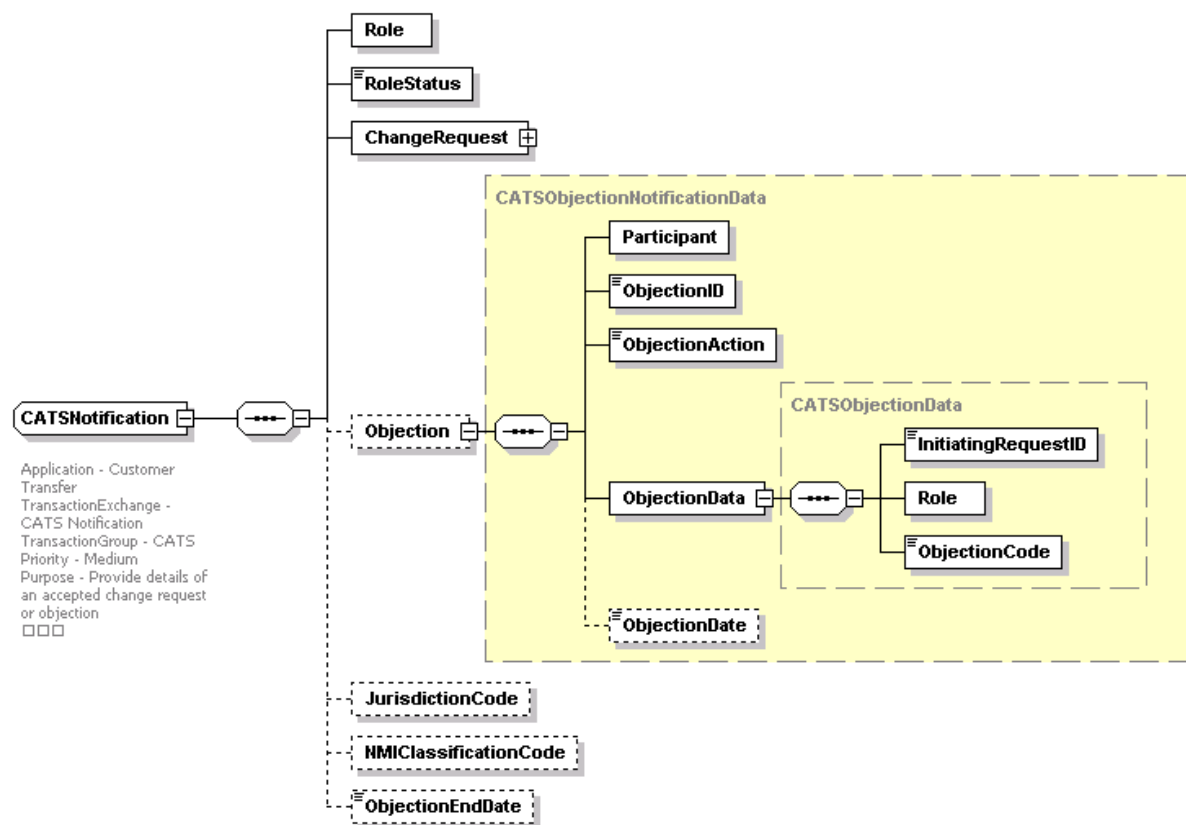
- MeterTestResultAccuracy allows for negative values
- MeterSiteName and MeterEstablishmentInstructions types removed

#### 2.2.3.2.9 CustomerDetails

- CustomerDetailsNotification transaction upgraded to r10 as result of change in address

#### 2.2.3.2.10 CustomerTransfer

- CATSNotification transaction extended with JurisdictionCode, NMIClassificationCode and ObjectionEndDate elements
- CATSNotification transaction version number upgraded to r10



#### 2.2.3.2.11 Electricity

- SiteName, NetworkTariffCode and EstablishmentInstructions removed from the ElectricityMeter type
- Removed nillable attribute from Status in ElectricityMeter
- Version attribute for ElectricityStandingData set to r10
- RegisterId in the ElectricityMeterRegisterDetail is not nillable

#### 2.2.3.2.12 Events

- Added type for release r10

#### 2.2.3.2.13 Faults

- No change

#### 2.2.3.2.14 Gas

- GasStandingData changed the version attribute to r10 as result of change in the address.

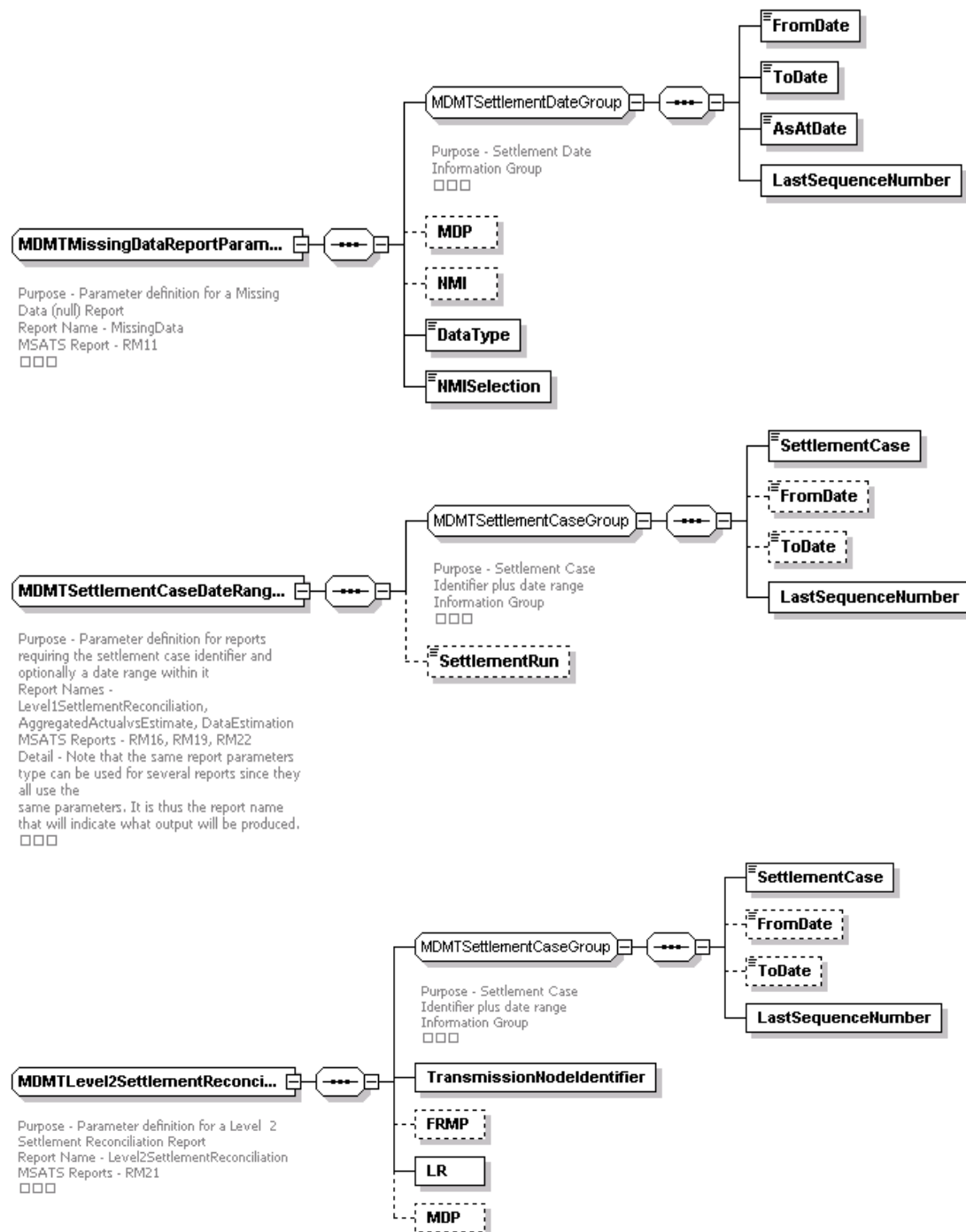
#### 2.2.3.2.15 Header

- No change

#### 2.2.3.2.16 MDMTReport

- MDMTMissingDataReportParameters (RM11 report) extended with DataType and NMISelection elements. DataType can be: Interval or Consumption. NMISelection can obtain values: SecondTierNMIs or AIINMIs.
- MDMTSettlementCaseDateRangeReportParameters (RM16, RM19, RM22 reports) extended with SettlementRun element. SettlementRun may obtain the following values: RREV1, RREV2, SPECIAL, PRELIMINARY and FINAL.
- FRMP element made optional in the MDMTLevel2SettlementReconciliationReportParameters (RM21)
- Version attribute for the above report parameters set to r10





#### 2.2.3.2.17 MeterConfig

Note: This file was introduced in r8 and has been dropped from the schema because of implementing the MSATS 2 changes.

#### 2.2.3.2.18 MeterDataManagement

- No change

#### 2.2.3.2.19 NetworkBilling

- No change

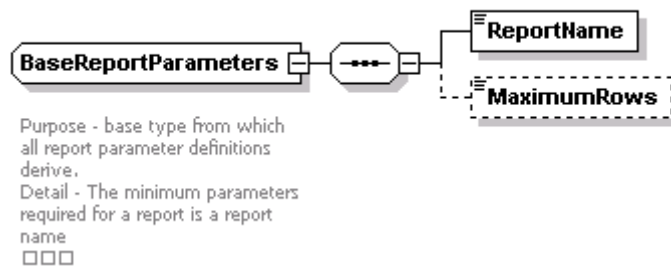
#### 2.2.3.2.20 NMIDataAccess

- No change

#### 2.2.3.2.21 Reports

- BaseReportParameters extended with MaximumRows optional element

- Version attribute for ReportRequest and ReportResponse transactions set to r10

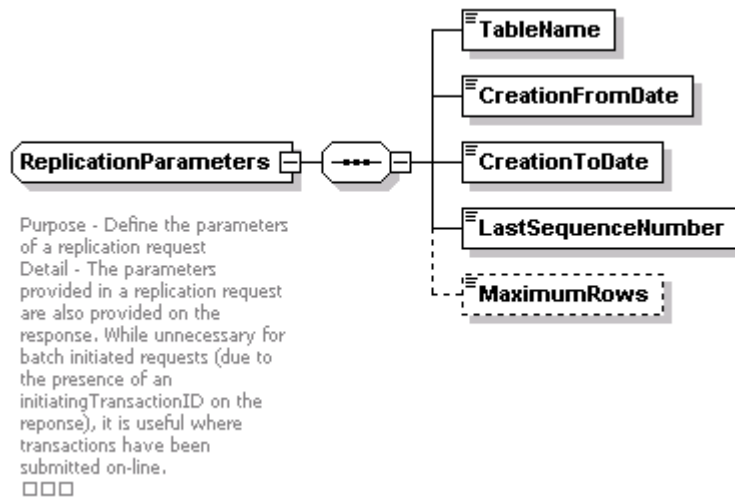


#### 2.2.3.2.22 ServiceOrder

- ServiceOrderRequest and ServiceOrderNotification transactions change the version attributes to r10 as result of change in the address.
- Transactions SpecialReadRequest and SpecialReadResponse use the same type as ServiceOrderRequest and ServiceOrderResponse. Consequently, their version attribute is also upgraded to r10.

#### 2.2.3.2.23 TableReplication

- Replication parameters extended with MaximumRows optional element
- Version attribute for ReplicationRequest and ReplicationNotification transactions set to r10



#### 2.2.3.2.24 Transactions

- No change

### 2.2.4 Change log

The Originator lists what exactly has changed in the schema. This list is further used for dependency analysis, conformance report, impact assessment and resolution.

ASWG completes the dependency analysis and verifies the changes with the documentation provided.

## 3. Proposal Assessment

### 3.1. Test

The ASWG ensures that all recommended parsers on relevant platforms can successfully validate the proposed schema.

#### 3.1.1 Test Platforms

The schema was tested using the following platforms advised by ASWG:

- XMLSpy
- MSXML4
- Xerces

#### 3.1.2 Test Cases

Test cases attached to this documents. The following example files created:

- ChangeRequestAllFields\_r10.xml
- CATSNotification\_r10.xml
- MDMReportRM21\_r10.xml
- MDMReportRM11\_r10.xml
- MDMReportRM16\_r10.xml
- NMISstandingDataResponseMeterConfig\_r10.xml
- ReplicationNotificationNetworkTariffCodes\_r10.xml
- ReportResponseNMIMasterMeterConfig\_r10.xml
- ReplicationNotificationStandingDataAccessRules\_r10.xml
- ChangeRequestAllFieldsMeterConfig\_r10.xml
- ReplicationNotificationAddress\_r10.xml
- ReplicationNotificationCATSStreamlinedCRCodes\_r10.xml

### 3.2. Dependency analysis

Ref#	Transactions Impacted	Derived Type Impacted	Schema Filename	Modified Types	Base Type	Used by "Parent" Types
1	AppointmentsRequest AppointmentsResponse ServiceOrderRequest ServiceOrderNotification SpecialReadRequest SpecialReadResponse CustomerDetailsNotification	ElectricityStandingData GasStandingData	ClientInformation_r10.xsd	AustralianStreetType	AustralianStructuredAddress PartialComponents AustralianStructuredAddress Components	AustralianPartialAddress AustralianAddress Address
2	ReportResponse NMIDiscoveryResponse NMIStandingDataResponse CATSChangeRequest CATSDataRequest ReplicationNotification CATSNotification CATSBulkDataRequest CATSBulkDataResponse MeterReadInputNotification	ElectricityStandingData	Common_r10.xsd	MeterTestResultAccuracy		ElectricityNMIMeterGroup ElectricityMeter
3	ReportResponse NMIDiscoveryResponse NMIStandingDataResponse CATSChangeRequest CATSDataRequest CATSNotification CATSBulkDataRequest CATSBulkDataResponse MeterReadInputNotification AccountCreationNotification NMIStandingDataUpdateNotification	ElectricityStandingData	Electricity_r10.xsd	ElectricityMeter		ElectricityStandingData
4	ReplicationNotification	CATSNetworkTarriffCodeRow CATSStandingDataAccessRuleRow ElectricityNMIMeterGroup CATSStreamlinedCRCodesRow	CATSTableReplication_r10.xsd	CATSNetworkTarriffCodeRow CATSStandingDataAccessRuleRow ElectricityNMIMeterGroup CATSStreamlinedCRCodesRow		

Ref#	Transactions Impacted	Derived Type Impacted	Schema Filename	Modified Types	Base Type	Used by "Parent" Types
5	ReplicationNotification	CATSNMIMeterRow CATSNMIMeterRowBDT ElectricityCATSChangeRequestNMIMeterRow	CATSTableReplication_r10.xsd	ElectricityNMIMeterGroup		
6	ReplicationNotification	ElectricityNMIMeterRegisterRow	CATSTableReplication_r10.xsd	ElectricityNMIMeterRegisterRow		
7	ReportRequest ReportResponse	MDMTLevel2SettlementReconciliationReportParameters	MDMTReports_r10.xsd	MDMTLevel2SettlementReconciliationReportParameters		
8	ReportRequest ReportResponse	MDMTSettlementCaseDateRangeReportParameters	MDMTReports_r10.xsd	MDMTSettlementCaseDateRangeReportParameters		
9	ReportRequest ReportResponse	MDMTMissingDataReportParameters	MDMTReports_r10.xsd	MDMTMissingDataReportParameters		
10	CATSNotification		CustomerTransfer_r10.xsd	CATSNotification		
11	ReportRequest ReportResponse		Reports_r10.xsd	BaseReportParameters		
12	ReplicationRequest ReplicationNotification		TableReplication_r10.xsd	ReplicationParameters		

### 3.3. Conformance Report

The ASWG noted that the schema does not conform to aseXML guidelines with respect to all version attributes on derived types. The guidelines state that these attributes are 'required' whilst the schema has them as 'optional'. The ASWG has agreed to allow an exemption in this instance given the expected impact to participants of this requirement and the limited time left to release and implementation of the change.

This requirement will be re-enforced on the Gas Market related types in the next release of the schema targeted for the Gas Market.

After approval and release of the schema it was discovered that the version attribute of the NMIDiscoveryRequest transaction was not modified to r10 even though the content of the address element was changed (Street type RETURN removed from the enumerations). As this will not functionally affect the NMIDiscoveryRequest transaction (MSATS has never supported the RETURN street type) and will at the same time cause delays in the MSATS release schedule due to testing of the schema and software, it is proposed to implement this change in the next version of the schema.

Table 3-1, Change Proposal Conformance Details

Conformance Notes			
<b>1.Transaction</b>			
CustomerDetailsNotification	r8	required	This should be changed to r10
ServiceOrderRequest	r9	required	This should be changed to r10
ServiceOrderResponse	r9	required	This should be changed to r10
SpecialReadRequest	r9	required	This should be changed to r10
SpecialReadResponse	r9	required	This should be changed to r10
AppointmentRequest	r9	required	This should be changed to r10
AppointmentResponse	r9	required	This should be changed to r10

## 4. Review Disposition

### 4.1. Description of Changes – Approved and Accepted

Table 4-1, Review Comments on conformance report (see 3.3 above)

Item#	Reviewer's Comments	Status
1	Change transactions and derived types affected versions to r10	To be updated

Table 4-2, Review Notes for proposed approvals

Ref#	Description	FileName
1	AseXML namespace change and include modified files	Approved
2	Added type definition for Release Identifier value "r10"	Approved
3	Removed street type value "RETURN" from the enumerated list <i>AustralianStreetType</i>	Approved
4	<i>MeterTestResultAccuracy</i> extended to allow for negative values	Approved
5	Removed nillable attribute from the <i>MeterStatus</i>	Approved
6	Added following rows: <i>CATSNetworkTarriffCodeRow</i> and <i>CATSSstandingDataAccessRuleRow</i>	Approved
7	Version attribute of the above derived complex type set to r10 as a result of <i>above</i> change	Approved
8	RM21 – Data element FRMP changed to optional in <i>MDMTLevel2SettlementReconciliationReportParameters</i>	Approved
9	Version attribute of the above derived complex type set to r10 as a result of <i>above</i> change	Approved
10	RM16, RM19, RM22 – Added data element SettlementRun as enumerated values of (RREV1, RREV2, SPECIAL, PRELIMINARY and FINAL) to the <i>MDMTSettlementCaseDateRangeReportParameters</i>	Approved
11	Version attribute of the above derived complex type set to r10 as a result of <i>above</i> change	Approved
12	RM11 – Added data elements DataType as enumerated values of (Interval or Consumption) and NMISelection as enumerated values of (SeconTierNMIs or AllNNMIs) to the <i>MDMTMissignDataReportParameters</i>	Approved
13	Version attribute of the above derived complex type set to r10 as a result of <i>above</i> change	Approved
14	Appended optional data elements JurisdictionCode, NMIClassificationCode and ObjectionEndDate to <i>CATSNotification</i> complex type.	Approved
15	Version attribute of CATSNotification transaction modified to r10 as a result of <i>above</i> change	Approved
16	<i>ReplicationParameter</i> extended with optional data element MaximumRows	Approved
17	Version attribute of ReplicationRequest and ReplicationNotification are modified to r10 as result of the above change	Approved
18	<i>BaseReportParameters</i> extended with optional data element MaximumRows	Approved
19	Version attribute of ReportRequest and ReportResponse are modified to r10 as result of the above change	Approved
20	SiteName, NetworkTariffCode and EstablishmentInstructions removed from <i>ElectricityNMIMeterGroup</i>	Approved
20	Version attribute on the: ElectricityNMIMeterRow, ElectricityNMIMeterBDT and ElectricityCATSChangeRequestNMIMeterRow modified to r10 as result of the above change	Approved
20	Removed type definitions MeterSiteName and MeterEstablishmentInstruction	Approved
21	Removed data elements SiteName, NetworkTarrifCode and EstablishmentInstructions from the <i>ElectricityMeterType</i>	Approved
22	Version attribute of the <i>ElectricityStandingData</i> complex type modified to r10 as a result of <i>above</i> change	Approved
23	Added row <i>CATSSstreamlinedCRCodesRow</i>	Approved

Ref#	Description	FileName
24	Version attribute of the above derived complex type set to r10 as a result of <i>above</i> change	Approved
25	Version attribute of CustomerDetailsNotification transaction modified to r10 as a result of change in the address structure	Approved
26	Version attribute of ServiceOrderRequest, ServiceOrderNotification and also SpecialReadRequest and SpecialReadResponse transactions modified to r10 as a result of change in the address structure	Approved
27	Version attribute of GasStandingData modified to r10 as result of change in the address structure	Approved
28	Version attribute of AppointmentRequest and AppointmentResponse transactions modified to r10 as result of change in the address structure	Approved
29	Version attribute on the ElectricityNMIMeterRegisterRow modified from required to optional	Approved
30	RegisterId in the ElectricityMeterRegisterDetail is not nillable	Approved

Note: Item# is a reference to items listed in the Description of the proposed approval.

## 4.2. Impact assessments on Participant's systems

The ASWG seeks the market participants' input on the expected business and technical impacts.

### 4.2.1 Business Impact

### 4.2.2 Technical Impact

The change to AustralianStreetType will impact on VicGas market transactions, when implementing the r10 schema. These transactions are listed in the 3.3 above

## 4.3. Supplied Documents

- o aseXML\_r10 schema
- o aseXML\_r10 example files



## 5. Resolution

The ASWG provides a resolution for each change item contained in the Approval Proposal. The resolution is forwarded to the Originator for implementation considerations as required by respective Change Management Process.

### 5.1. Changes Approved and Accepted

The ASWG compiles the list of change items proposed for approval together with their resolution status in the table below.

*Note: Item# is a reference to items listed in the Description of Changes – Approved and Accepted.*

Table 5-1, Change Resolution

Item#	Resolution Notes	Status
1	Amend aseXML schema to r10 as proposed	Approved
2	Amend aseXML schema to r10 as proposed	Approved
3	Amend aseXML schema to r10 as proposed	Approved
4	Amend aseXML schema to r10 as proposed	Approved
5	Withdrawn	N/A
6	Amend aseXML schema to r10 as proposed	Approved
7	Amend aseXML schema to r10 as proposed	Approved
8	Amend aseXML schema to r10 as proposed	Approved
9	Discussion held by ASWG as to correct placement of ObjectionEndDate element. Final location agreed by majority vote. Amend aseXML schema to r10 as proposed	Approved
10	Amend aseXML schema to r10 as proposed	Approved
11	Amend aseXML schema to r10 as proposed	Approved
12	Amend aseXML schema to r10 as proposed	Approved

*Note: Item# is a reference to items listed in the Description of Changes – Approved and Accepted.*