



# ERCF Meeting 6

24 June 2021

# Online forum housekeeping

1. Please mute your microphone, this helps with audio quality as background noises distract from the information being shared.
2. Video is optional, but having it turned off helps with performance and minimises distractions.
3. We ask that you utilise the Chat function for any questions or comments you may have. This aids note keeping and keeps discussions flowing smoothly.
4. Raise your hand if you wish to speak to an item. This keeps conversations orderly.
5. If you have dialled in via phone, please email [ercf@aemo.com.au](mailto:ercf@aemo.com.au) your name and organisation for our records.
6. If your name appears abbreviated on Teams, please add your name and organisation to the chat for our records.
7. Be respectful of all participants and the process.<sup>2</sup>

# Agenda

No	Time	Agenda Item	Responsible
<b>Preliminary Matters</b>			
1	9:30am-9:40am	Welcome, AEMO Competition Law Meeting Protocol, Acknowledgement of country	Meghan Bibby (AEMO)
2	9:40am-9:50am	Actions from previous meeting	Gareth Morrah (AEMO)
<b>Matters for Noting</b>			
3	9:50am-10:00am	2021 Consultations & ICF Register	Meghan Bibby (AEMO)
<b>Common Items</b>			
4	10:00am-10:10am	Shared Isolation Point Flag Survey Results	Jordan Daly (AEMO)
<b>MSATS Only Items</b>			
5	10:10am-10:25am	Controlled Load focus group outcomes	Gareth Morrah (AEMO)
6	10:25am-10:40am	NMI Status focus group update	Jordan Daly (AEMO)
<b>Break – 10 minutes</b>			
<b>Metrology &amp; Service Level Procedures Items</b>			
7	10:50am-11:15am	Reason Codes focus group update	Jordan Daly (AEMO)
<b>Other business</b>			
8	11:50am-12:00pm	General questions, actions & next meeting (22 July 2021)	Meghan Bibby (AEMO)

# Preliminary Matters

# AEMO Competition Law Meeting Protocol

Before we start this meeting, an important notice relating to *compliance with Competition Law*

We must not discuss, or reach or give effect to any agreement or understanding which relates to:

- Pricing
- Targeting (or not targeting) customers
- Tendering processes
- Sharing competitively sensitive information
- Breaching confidentiality obligations

Each entity must make an independent and unilateral decision about its commercial positions

*We acknowledge the Traditional Owners of country throughout Australia and recognise their continuing connection to land, waters and culture. We pay our respects to Elders past, present and emerging.*

# Closed actions from previous meetings

Item	Topic	Action	Responsible	Response
2503-01	NMI Classification Code (Table 4E – CATS Procedure v4.94)	<p>Steve Blair (Energy Queensland) to reach out to the top 3-4 retailers so that they can start working on some examples of the NMIs that needs to change as a result of the change in the NMI classification codes.</p> <p>Mark Riley (AGL), Joe Castellano (Origin), and Shaun Cupitt (Alinta) volunteered and would like to be involved in the discussion with Steve Blair (Energy Queensland).</p> <p>Steve Blair (Energy Queensland) to obtain email addresses and contact details from Meghan Bibby (AEMO) to start reaching out to Participants.</p>	Steve Blair (Energy Queensland)	Closed. Discussed at May meeting, actions taken offline.
2503-04	Substitution Types	Perform a broader review of substitution types to see if it needs updating.	ERCF following survey (see action 2503-07)	Closed. Participants agreed that this issue should be revisited following experience with 5MS.
2503-07	Other Business	Get feedback from the MDPs on whether we need a new substitution method to suit small customers and we can use the MDP working group. Meghan Bibby (AEMO) suggested we can run a small survey asking contestable MDPs to clarify whether we need new substitution methods for small customers.	Meghan Bibby (AEMO)	Closed.

# Open actions from previous meetings

Item	Topic	Action	Responsible	Response
2503-03	ICF_044: New substitution method/ ICF_045: Agreed substitution reasons/ ICF_046 Clarifying objective of estimation	Jackie Krizmanic (AEMO) to clarify who are the affected participants from UFE in global settlements and whether it is only the financially impacted participants or more.	Jackie Krizmanic (AEMO)	
2503-05	ICF_044: New substitution method/ ICF_045: Agreed substitution reasons/ ICF_046_Clarifying objective of estimation	Clarify the 3 substitution methods ICFs before it goes to consultation.	Shaun Cupitt (Alinta)	
2503-06	Other Business	Issue raised with type 14 substitution can be opened up now as consultation won't happen till after mid-year 2021, Meghan Bibby (AEMO) suggested that Mark Leschke (Energex) can raise either an ICF or a series of questions for this matter to be considered in the next ERCF meeting.	Mark Leschke (Energex)	



# Open actions from previous meetings

Item	Topic	Action	Responsible	Response
2105-01	UFE and EN	Determine whether or not on-market embedded network children will be included in the local network global settlement calculation.	Jackie Krizmanic (AEMO)	
2105-02	Greenfield site status	How can it be made easier for an LNSP to update Greenfield Sites, AEMO to work with Laura Peirano.	AEMO, Laura Peirano	
2105-03	NMI Status	Misaligned NMI status, AEMO to convene a sub working group.	Jordan Daly, (AEMO)	Sub group convened.
2105-04	CL Enumerations	Controlled Load Enumerations, AEMO to convene a sub working group	Gareth Morrah (AEMO)	Sub group convened.
2105-05	Shared Fusing Codes	Shared Fusing, AEMO to survey participants to clarify use of codes by participants	Jordan Daly (AEMO)	Sub group convened.
2105-06	Type 14 Substitutions	AEMO to clarify the time frames for type 14 and type 16 substitutions	AEMO	

# Matters for Noting

# 2021 Consultations

Meghan Bibby, AEMO

- Electricity Retail Market Procedures March 2021 Consultation, final to be published 16/7/2021: <https://aemo.com.au/consultations/current-and-closed-consultations/electricity-retail-market-procedures-march-2021>
- 5MS Customer Switching Consolidation Process, final to be published 29/6/2021: <https://aemo.com.au/consultations/current-and-closed-consultations/5ms-consolidation-process>
- MS DR and MCPI Effective Date Change Process, final to be published 7/7/2021: <https://aemo.com.au/consultations/current-and-closed-consultations/msdr-and-mcpi-effective-date-change-process>

# Customer Switching update

Meghan Bibby, AEMO

- IT changes linked in 5MS release
- Pre-production scheduled to be made available July 2021
- Participants will be able to undertake their testing in pre-production from July through to September
- Customer Switching testing is through bilateral arrangements as per BAU processes

Milestone	Date	Description
Customer Switching pre-production implementation	19 July 2021	AEMO implements components of the Release to pre-production for participant testing AEMO has full access to the system during this period through to the Production deployment
Customer Switching production implementation	Wednesday, 29 September 2021 Thursday 30 September 2021	AEMO implements the 5MS/CS MSATS 46.99 release to production
Customer Switching Effective	Friday 1 October 2021 00:00:01	Customer Switching Procedures are effective

- Updates are available on AEMO website, located at:

<https://aemo.com.au/consultations/current-and-closed-consultations/nem-customer-switching>

# ICF Register

Gareth Morrah, AEMO

- About half of items in Register are currently being consulted on in the Electricity Retail Market Procedures March 2021 (refer to Change Log distributed)
- Remaining ICFs on reason codes is in progress through a subgroup (refer later in meeting pack).
- Substitution methods ICFs in discussion as part of actions (earlier in pack).

# Common Items

# Shared Isolation Point Flag – Survey

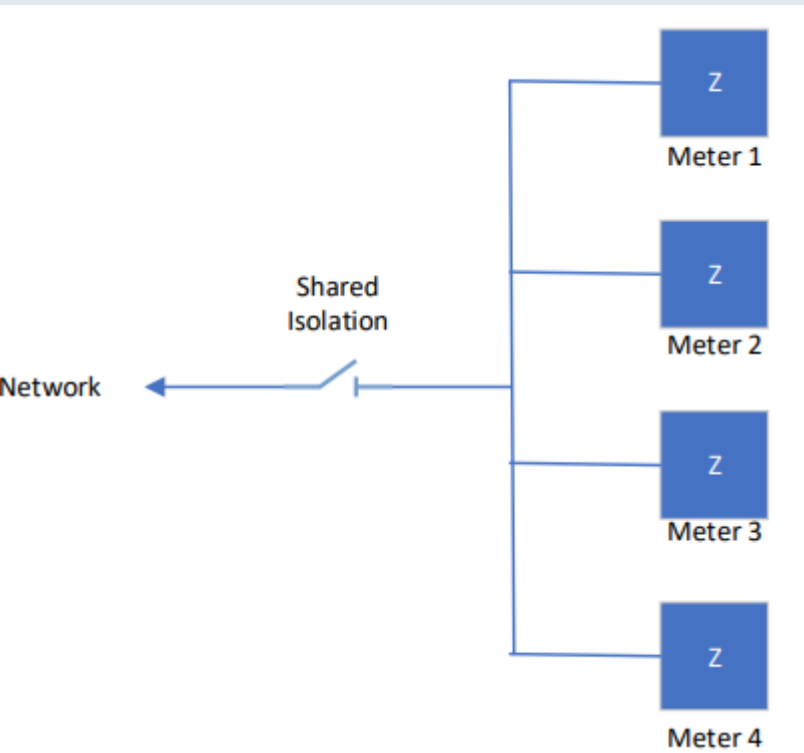
Jordan Daly, AEMO

- New field as part of MSDR.
- A flag (Yes, No, Isolated or Unknown) to indicate the Shared Fuse Arrangement for the metering Installation as per the Standing Data for MSATS document v4.6.
- Obligations for this field are defined in the Metrology Procedure Part A v7.3 and the CATS Procedure v4.93. The Metrology Procedure Part A contains diagrams to explain the correct use of the Shared Isolation Point Flag
- Full marks for all respondents
- 'U' if the status is unknown

**Table 20 Valid Shared Isolation Point Flag Values**

<u>SharedIsolationPointFlag</u>	<u>Description</u>
<u>Y</u>	<u>Indicates that a Shared Fuse Arrangement is present</u>
<u>N</u>	<u>Indicates that no Shared Fuse Arrangement is present</u>
<u>I</u>	<u>Indicates the metering installation is Isolated independently but still part of a Shared Fuse Arrangement</u>
<u>U</u>	<u>Indicates that the presence of a Shared Fuse Arrangement is Unknown</u>

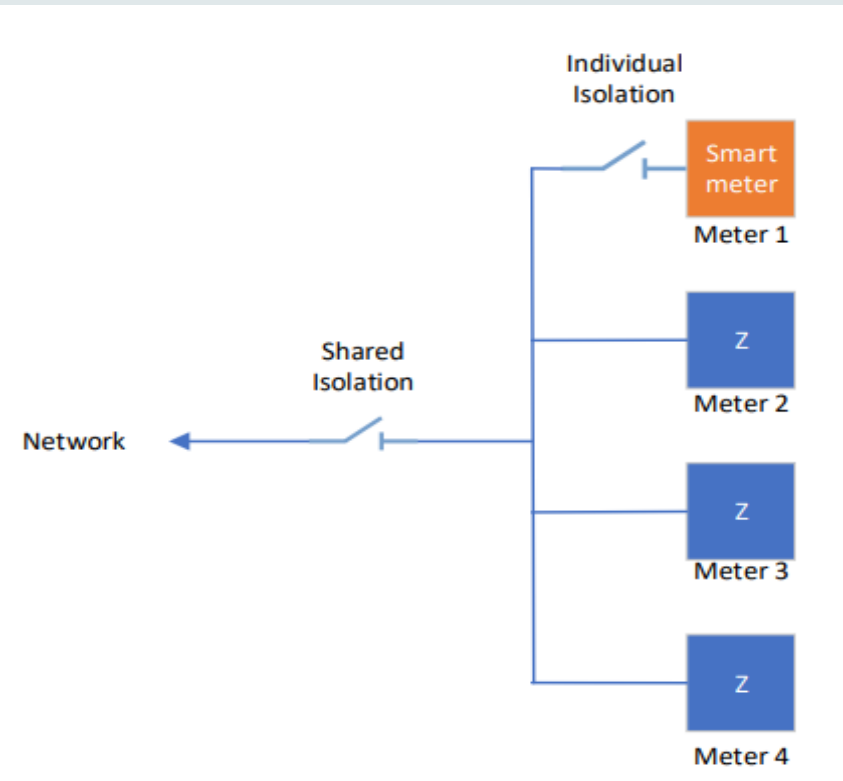
# Shared Isolation Point Flag Survey Results



Question 1:  
Meter 3: Y (near-unanimous)



# Shared Isolation Point Flag Survey Results

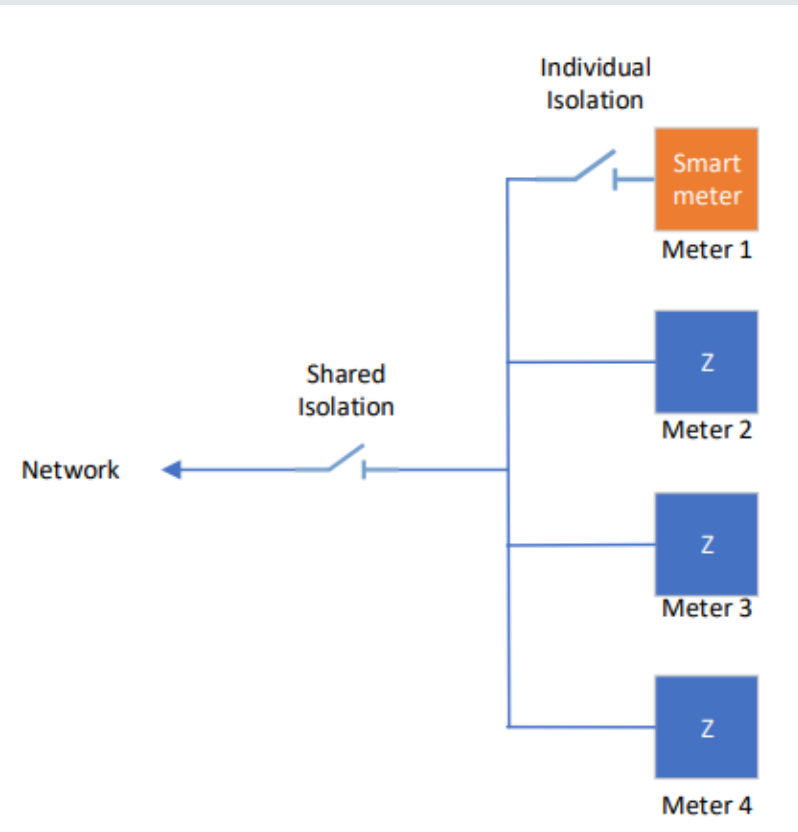


Question 2:

Meter 1: Most respondents said I – some suggested that “N” would provide value to the user of the field.

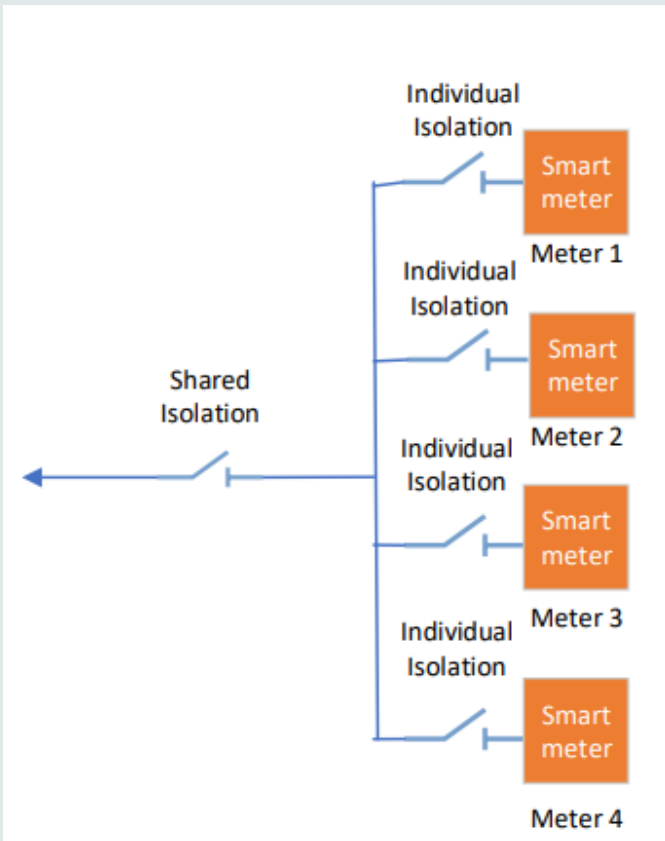
Comment: M1 can be isolated without impacting any other customer (M2,M3,M4). In this regard ‘I’ is the same as ‘N’. Meters 2 through 4 will be ‘Y’ or ‘U’.

# Shared Isolation Point Flag Survey Results



Question 3:  
Meter 3: Unanimously Y

# Shared Isolation Point Flag Survey Results

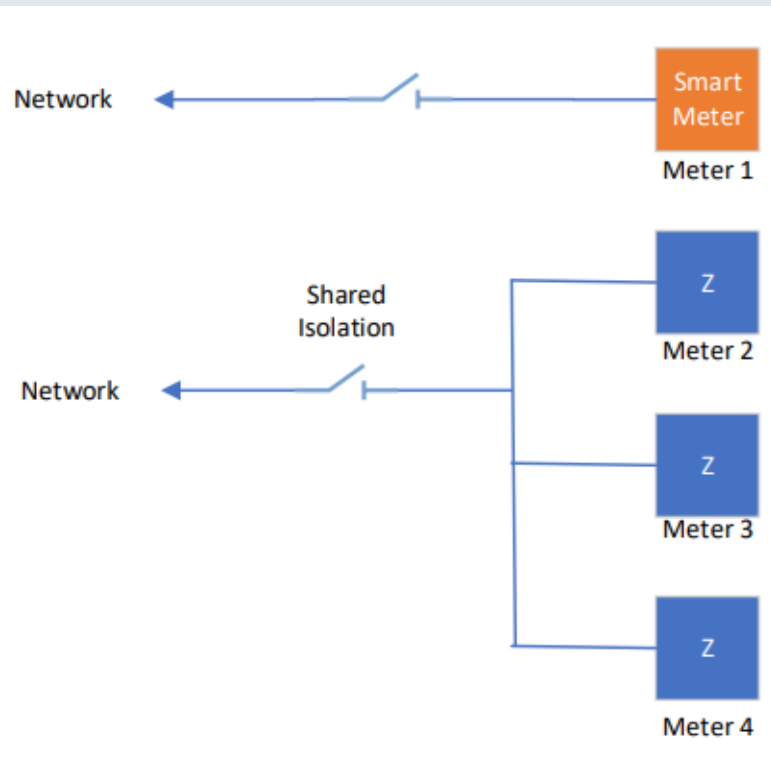


Question 4:

Meter 3: Near-unanimously I. Some N's.

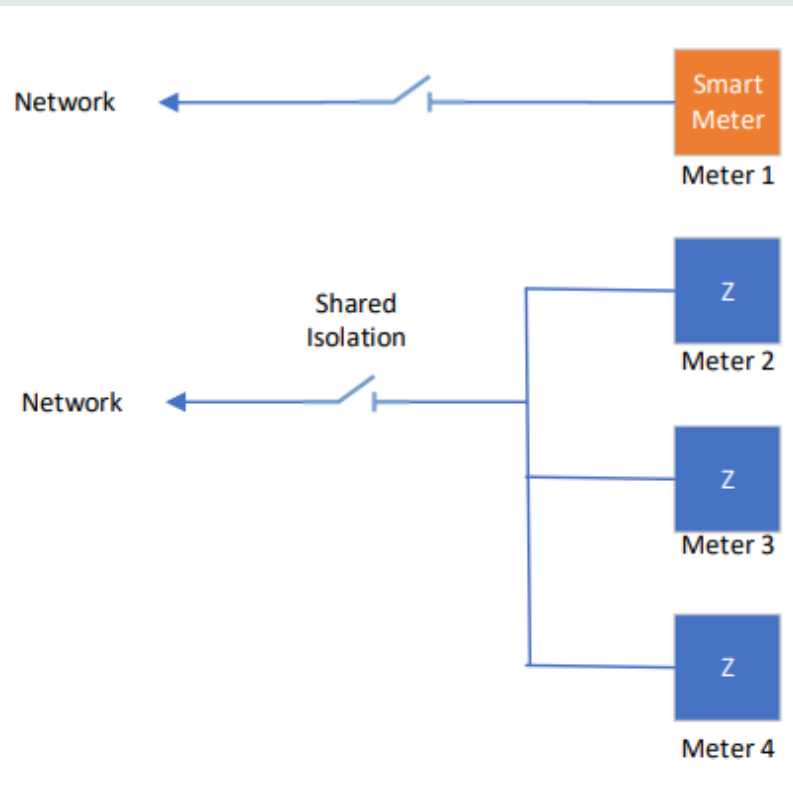
Comment: Should be 'I' according to current drafting Note: We think 'I' has no value and should be 'N' because the key here is that M3 (and all the other meters) can be isolated individually without impacting any other customer. In this regard 'I' is the same as 'N'.

# Shared Isolation Point Flag Survey Results



Question 5:  
Meter 1: Unanimously N.

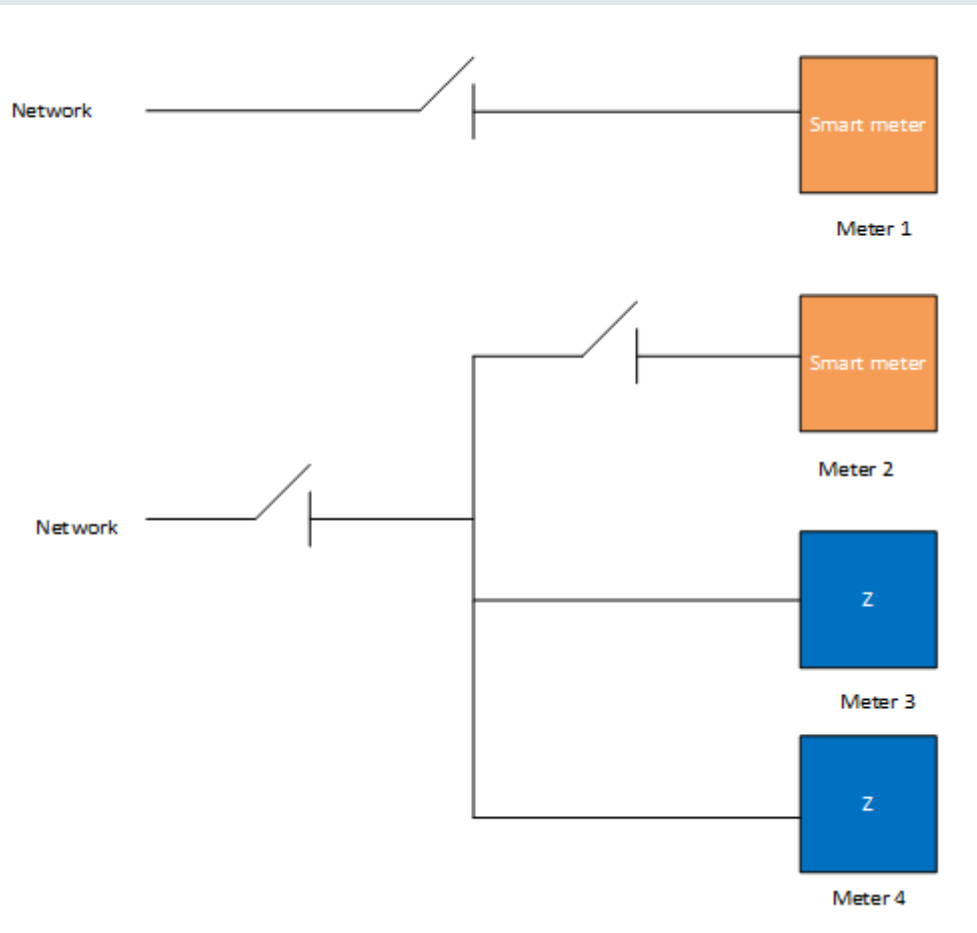
# Shared Isolation Point Flag Survey Results



Question 6:

Meter 3: All Y's, barring one I and one N.

# Shared Isolation Point Flag Survey Results



Question 7:

Meter 2: Near-unanimous I, some N's.

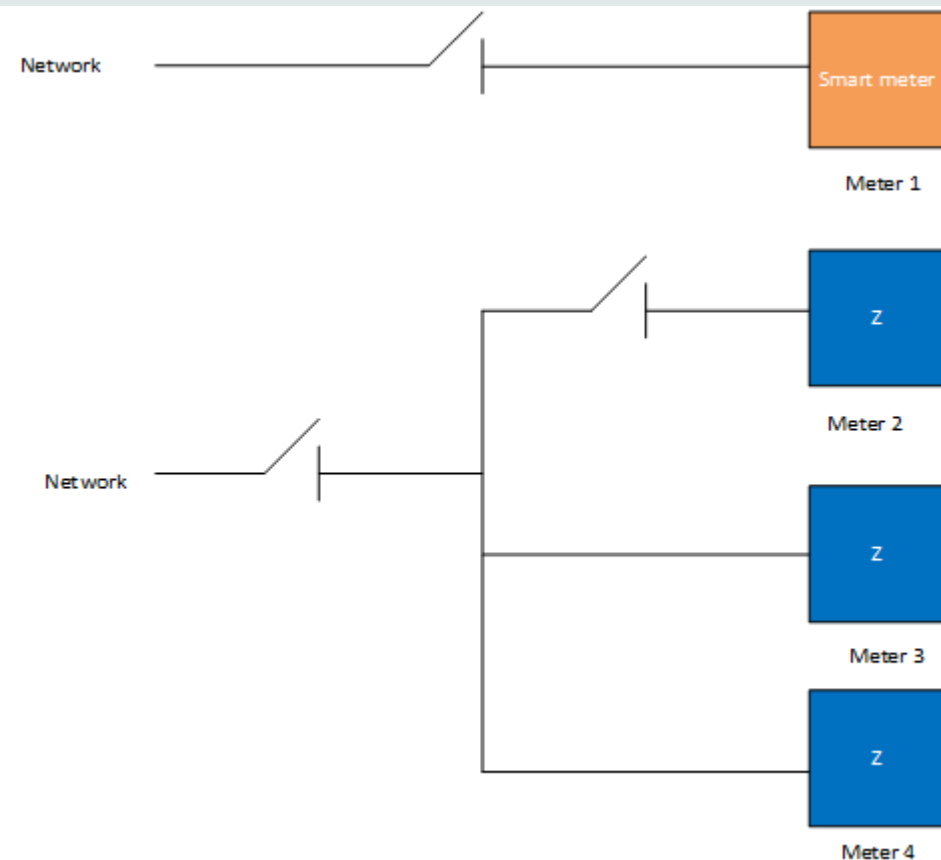
Comment: Should be 'I' according to current drafting  
Note: We think 'I' has no value and should be 'N' because the key here is that M2 can be isolated without impacting any other customer (M3 or M4). In this regard 'I'

# Shared Isolation Point Flag Survey Results

Question 8:

Meter 2: Near-unanimous I, some N's and Y's.

Comment: We would only be able to populate N if we were informed that the isolator existed. If we were not informed that the value would be U or Y.



# Shared Isolation Point Flag Survey Results

Question 9: If a meter a is currently set to Unknown and you are advised it is a No, what value should show in the Standing Data?

- Responses largely consisted of 'N'

Broadly, depends on who has advised the participant. Comment:

- If I get this info from my customer or MP, it should say U since I'm unable to change it. I would give this info to the LNSP and they should investigate.
- LNSPs are obliged to update the field.



# MSATS Only Items

# Controlled Load focus group update

Gareth Morrah (AEMO)

MSDR converted Controlled Load to an Enumerated List (previously free text) NO, CL1, CL2, CL3.

Discussion around how the networks intended the field to be populated by MPB's going forward (and how retailers would interpret the data).

AEMO has emailed networks asking them individually how they will expect field to be populated. Once responses have been collated the sub group will reconvene

Discussion on the emerging market for retailer controlled load, should this be reflected in MSATS. This would require a new enumeration(s). Concerns over commerciality of this information.

# NMI status focus group update

Jordan Daly (AEMO)

- Subgroup will meet Thursday 24 June (after ERCF)

# Break

Return in 10 minutes

# Metrology & Service Level Procedures Items

# Reason Codes focus group update

Jordan Daly (AEMO)

- Subgroup met on 18 June following on from May ERCF
- May ERCF meeting pack includes survey results
- Subgroup is currently reviewing all Reason codes to streamline their use and make them fit-for-purpose

# Other Business

Meghan Bibby, AEMO

# Other Business – Meeting admin

- Actions
- General Questions?
- Future meeting dates are in the Stakeholder Meetings calendar on AEMO's website at <https://aemo.com.au/consultations/industry-forums-and-working-groups/calendar>.
- Meeting packs & notes available at <https://aemo.com.au/en/consultations/industry-forums-and-working-groups/list-of-industry-forums-and-working-groups/electricity-retail-consultative-forum>
- Next meeting 22 July 2021
- ICFs, CIPs and papers due 8 July 2021