



Transportation Service Point Register

April November 20243

Important notice

PURPOSE

The purpose of this document is to support participant use of the Transportation Service Point Register. This publication has been prepared by AEMO based on service point information provided by facility operators as part of their Part 24 facility registration. The document also utilises information provided by facility operators and market participants during multiple rounds of consultation.

DISCLAIMER

Accordingly, to the maximum extent permitted by law, AEMO and its officers, employees and consultants involved in the preparation of this document:

- make no representation or warranty, express or implied, as to the currency, accuracy, reliability or completeness of the information in this document; and
- are not liable (whether by reason of negligence or otherwise) for any statements or representations in this document, or any omissions from it, or for any use or reliance on the information in it.

VERSION CONTROL

Version	Effective date	Changes
1.0	1/03/2019	Initial determination of zones, segments and backhaul service points at market start.
1.1	1/04/2019	Correction to zone allocation for Adelaide notional point on the PCA.
1.2	17/05/2019	Correction to the specification of segment SWQP-FS-01
1.3	26/06/2019	Addition of NT pipelines, Roma pipeline and change to EGP
1.5	24/02/2019	Addition of Oberon Offtake point on MSP and Atlas Lateral point on DDP
1.6	17/03/2020	Change of Name (Oberon Distribution Delivery Stream & Oberon Plant Delivery Stream)
1.7	12/08/2020	QGP and EGP changing to bi-directional pipelines. Addition of Katnook to SEPS
1.8	1/2/2022	Update to EGP schematic Change of description to Pelican Point delivery point Deletion of references to 'Transitional Firm Rights' on MAPS, EGP and VicHub Minerva name change to Athena Addition of 'EGP to Orbost' point on the EGP pipeline
1.9	28/2/2022	Updated publication of data requirements
1.10	17/04/2023	Updated with new service points on the Moomba to Adelaide Pipeline System and the Eastern Gas Pipeline
1.11	TBA	Addition of the Reedy Creek to Wallumbilla Pipeline

Abbreviations

Term	Definition
AEMC	Australian Energy Market Commission
AEMO	Australian Energy Market Operator
AEST	Australian Eastern Standard Time
BB	Natural Gas Services Bulletin Board
CBU	Contracted but un-nominated
CTAP	Capacity Transfer and Auction Procedures
CTP	Capacity trading platform
DAA	Day-ahead Auction
DTS	Declared Transmission System
DWGM	Declared Wholesale Gas Market
Energy Council	Council of Australian Governments Energy Council
GMRG	Gas Market Reform Group
GSH	Gas Supply Hub
MHQ	Maximum Hourly Quantity
MSV	Market Scheduled Variation
NGL	National Gas Law
OTSA	Operation Transportation Service Agreement
STTM	Short Term Trading Market

List of Facilities

Term	Definition
AGP	Amadeus Gas Pipeline
BCF	Ballera Compression Facility
BWP	Berwyndale to Wallumbilla Pipeline
CGP	Carpentaria Gas Pipeline
DDP	Darling Downs Pipeline
EGP	Eastern Gas Pipeline
ICF	Iona Compression Facility
MAPS	Moomba to Adelaide Pipeline System
MCF	Moomba Compression Facility
MSP	Moomba to Sydney Pipeline
NGP	Northern Gas Pipeline
PCA	Port Campbell to Adelaide Pipeline
PCI	Port Campbell to Iona Pipeline
QGP	Queensland Gas Pipeline
<u>RCWP</u>	<u>Reedy Creek to Wallumbilla Pipeline</u>
RBP	Roma to Brisbane Pipeline
RP	Roma Pipeline
SESA	South East South Australia Pipeline
SEPS	South East Pipeline System
SWQP	South West Queensland Pipeline
TGP	Tasmanian Gas Pipeline
VicHub	VicHub Pipeline
WCFA	Wallumbilla Compression Facility A
WCFB	Wallumbilla Compression Facility B
WGP	Wallumbilla to Gladstone Pipeline

Contents

1.	Introduction	<u>889</u>
1.1	Service points, zones and pipeline segments	<u>9940</u>
1.2	Interpretation of the Support Document	<u>101044</u>
Part A: Transmission Pipelines		<u>1112</u>
2.	South West Queensland Pipeline	12
3.	Roma to Brisbane Pipeline	16
4.	Berwyndale to Wallumbilla Pipeline	21
5.	Wallumbilla to Gladstone Pipeline	23
6.	Carpentaria Gas Pipeline	26
7.	Darling Downs Pipeline	29
8.	Queensland Gas Pipeline	33
9.	Roma Pipeline	37
10.	Moomba to Adelaide Pipeline System	39
11.	Port Campbell to Adelaide Pipeline	45
12.	Port Campbell to Iona Pipeline	50
13.	South East South Australia Pipeline	55
14.	South East Pipeline System	57
15.	Eastern Gas Pipeline	59
16.	Moomba to Sydney, Central West and Central Ranges Pipeline	65
17.	VicHub Pipeline	72
18.	Tasmanian Gas Pipeline	76
19.	Amadeus Gas Pipeline	81
20.	Northern Gas Pipeline	85
21.	Reedy Creek to Wallumbilla Pipeline	<u>87</u>
Part B: Compression Facilities		<u>8788</u>
<u>221.</u>	Wallumbilla Compression Facility A	<u>9089</u>
<u>232.</u>	Wallumbilla Compression Facility B	<u>9392</u>
<u>243.</u>	Ballera Compression Facility	<u>9695</u>
<u>254.</u>	Moomba Compression Facility	<u>9998</u>
<u>265.</u>	Iona Compression Facility	<u>101100</u>
A1.	Interpretation Guidance	<u>103102</u>
A2.	Example Pipeline	<u>106105</u>

Figures

Figure 1	Connection between SWQP and Wallumbilla Compression Facilities	13
Figure 2	SWQP zones and pipeline segments	15
Figure 3	RBP zones and pipeline segments	20
Figure 4	BWP zones and pipeline segments	22
Figure 5	WGP zones and pipeline segments	24
Figure 6	CGP zones and pipeline segments	28
Figure 7	DDP zones and pipeline segments	31
Figure 8	QGP zones and pipeline segments	36
Figure 9	MAPS zones and pipeline segments	43
Figure 10	PCA zones and pipeline segments	49
Figure 11	PCI zones and pipeline segments	54
Figure 12	EGP zones and pipeline segments	64
Figure 13	MSP zones and pipeline segments	70
Figure 14	VicHub zones and pipeline segments	73
Figure 15	TGP zones and pipeline segments	79
Figure 16	AGP zones and pipeline segments	83
Figure 17	NGP zones and pipeline segment	86
Figure 18	Example pipeline zones and pipeline segments	108106

1. Introduction

On 29 June 2018 the Council of Australian Governments Energy Council (Energy Council) agreed to implement the legal and regulatory framework required to give effect to the capacity trading reform package. The capacity trading reform package, which applies to the operators of transmission pipelines and compression facilities operating under the contract carriage model¹ (jointly referred to as 'transportation facility operators'), provides for the implementation of:

1. A capacity trading platform (CTP) that will form part of the gas trading exchange (Gas Supply Hub (GSH)) and provide for:
 - exchange-based trading of commonly traded transportation products (including firm forward haul services, firm park services and firm compression services on stand-alone compressors); and
 - a listing service for other more bespoke products.
2. A day-ahead auction (DAA) of contracted but un-nominated (CBU) capacity, which will be conducted each day on non-exempt transportation facilities shortly after nomination cut-off and subject to a reserve price of zero. Shippers will be able to use the DAA to procure forward haul transportation services (with separate products offered in both directions on bi-directional² pipelines); backhaul services on single direction pipelines (or parts of pipelines) and stand-alone compression services.
3. A range of measures to facilitate capacity trading and the DAA, including the development of standard operational transportation service agreements (standard OTSA) that will establish the standard contract terms between service providers and shippers for capacity procured through the CTP and DAA.
4. A reporting framework for secondary capacity trades and a number of other transparency measures that are designed to facilitate capacity trades and the DAA.
5. A standard market timetable that provides for:
 - a common gas day start time of 6 am (AEST) across the east coast (and Northern Territory once connected to the east coast) that will apply to all production, pipeline, compression and storage facilities and in the facilitated markets; and
 - a common nomination cut-off time of 3 pm (AEST) and common auction service nomination cut-off time of 6:45 pm (AEST) for transportation facilities that will be subject to the capacity trading reforms.

Work on the design of the reform package commenced in early 2017. Following an extensive consultation process, which included a large number of meetings with industry-based project teams, the GMRG provided its final recommendations to the Energy Council on:³

- the proposal to accord the Australian Energy Market Operator (AEMO) responsibility for operating the CTP and DAA, which was approved by the Energy Council at its 14 July 2017 meeting;

¹ The reforms do not apply to the Declared Transmission System, which operates under the market carriage model.

² A pipeline will be classified as bi-directional if at any time the direction of the physical flow of gas on the pipeline (or part) is capable of being reversed under normal operating conditions and transportation facility users have transportation capacity for firm forward haul services in both directions (with a service time that includes that time).

³ GMRG, Final Recommendations on the Operation and Administration of the Transportation Capacity Trading Platform and Day-Ahead Action, June 2017. GMRG, Final Recommendations on the Capacity Trading Reform Package (Standardisation, capacity trading platform and reporting framework for secondary trades), November 2017. GMRG, Final Recommendations on the Design of the Day-Ahead Auction of Contracted but Un-Nominated Capacity, December 2017.

- the proposed design of the trading platform, the measures required to facilitate capacity trading and the DAA, the reporting framework for secondary trades and the adoption of a standard market timetable, which were approved by the Energy Council at its 24 November 2017 meeting; and
- the proposed design of the DAA, which was approved by the Energy Council out-of-session on 3 January 2018.

The Energy Council also agreed at its 24 November 2017 meeting that:

- the capacity trading reform package should be implemented by 1 March 2019; and
- the harmonisation of gas day start times and nomination cut-off times should occur by 1 October 2019.

On 29 June 2018, the Energy Council agreed that the reform package will initially apply in the Australian Capital Territory, New South Wales, Queensland, South Australia, Tasmania and Victoria (outside the Declared Transmission System (DTS)). The Energy Council also agreed, at the request of the Northern Territory Government, to:⁴

- implement a derogation that will delay the application of the DAA to transportation facilities located wholly or partly in the NT; and
- apply all other aspects of the capacity trading reform package in the NT once the Northern Gas Pipeline (NGP) is commissioned, which is expected to occur in late 2018.

On 22 November 2018, the amendments to the National Gas Law (NGL) were proclaimed and the required amendments to the NGL Regulations and the National Gas Rules (NGR) were made⁵. As provided for under these new instruments, all facility operators to whom the reform package will apply were required to register as a Facility Operator and to register their facilities with AEMO no more than 20 business days from the date of proclamation.

1.1 Service points, zones and pipeline segments

Under the new legal and regulatory instruments, AEMO is responsible for:

- maintaining and publishing a register of each service point (physical or notional) at or between which transportation services are (or may be) provided by the facilities that will be subject to the reform package and each park service point;
- determining the backhaul service points between which backhaul auction services will be available in the DAA on single direction pipelines (or parts of pipelines);
- determining the allocation of service points to the zones that will be used for both the CTP and DAA; and
- determining the forward haul pipeline segments (i.e. the part of a pipeline between pipeline zones) and, where relevant, the backhaul pipeline segments that will be used in the DAA.

⁴ Further detail on the derogation (including the term of the derogation) can be found in the Senior Committee of Officials' Bulletin dated 3 July 2018 [Bulletin - Application of the Capacity Trading Reforms in the NT.pdf](https://www.energyministers.gov.au/bulletin-application-of-the-capacity-trading-reforms-in-the-nt.pdf) ([energyministers.gov.au](https://www.energyministers.gov.au))

⁵ The amendments to the NGL and Regulations (see *National Gas (South Australia) (Capacity Trading and Auctions) Amendment Bill 2018*) can be found on the South Australian Legislation website at [https://www.legislation.sa.gov.au/lz/c/a/national%20gas%20\(south%20australia\)%20act%202008/current/2008.19.auth.pdf](https://www.legislation.sa.gov.au/lz/c/a/national%20gas%20(south%20australia)%20act%202008/current/2008.19.auth.pdf) and [https://www.legislation.sa.gov.au/lz/c/r/national%20gas%20\(south%20australia\)%20regulations/current/2008.205.auth.pdf](https://www.legislation.sa.gov.au/lz/c/r/national%20gas%20(south%20australia)%20regulations/current/2008.205.auth.pdf)

The amendments to the NGR can be found on the AEMC's website at: <https://www.aemc.gov.au/sites/default/files/2018-11/National%20Gas%20%28Capacity%20Trading%20and%20Auctions%29%20Amendment%20Rule%202018.pdf>

Before making a determination on the service points, zones and pipeline segments that will apply on each of the facilities that will be subject to the reforms, AEMO must have regard to a range of matters and must also consult with stakeholders. AEMO will publish the determination in the form of the Transportation Service Point Register (TSPR), as well as any subsequent updates and consultations to this determination.

1.2 Interpretation of the Support Document

This paper sets out supporting information for the initial TSPR which AEMO has determined with the service point information provided by Part 24 Facility Operators with their facility registrations. This initial TSPR has been made subject to the finalisation of facility registration.

Appendix 1 provides further information regarding how each table in each chapter is to be interpreted.

Appendix 2 provides an example pipeline to show how the TSPR is applied in the DAA and CTP.

Part A: Transmission Pipelines

2. South West Queensland Pipeline

Table 1 Key facility information

Key information	Detail
Facility name	South West Queensland Pipeline (SWQP)
Facility operator/owner	APA Group
Location	South Australia – Queensland
Single or bi-directional pipeline	Bi-directional pipeline
Services that will be available through the CTP and DAA	Forward haul, Park (CTP only)
Subject to CTP?	Yes
Subject to DAA?	Yes

The South West Queensland Pipeline (SWQP) is a bi-directional pipeline between Moomba and Wallumbilla. Compression facilities at Moomba and Wallumbilla on the SWQP have been separated into stand-alone facilities (see Part B: Compression Facilities for further details).

Table 2 Service points

Name	Type	Zone Name	Description	Publication
SWQP Entry from MCF	Receipt	SWQP-RZ-01	Connection from MCF	Yes
SWQP MSP Entry	Receipt	SWQP-RZ-01	Connection from MSP	Yes
Ballera Entry	Receipt	SWQP-RZ-02	Connection from Ballera Gas Plant, CGP	Yes
Fairview	Receipt	SWQP-RZ-03		Yes
Wallumbilla HP Trade Point	Receipt	SWQP-RZ-03	Connection from Wallumbilla Compression Facility A	Yes
SWQP to MCF Exit	Delivery	SWQP-DZ-01	Connects to MCF	Yes

Name	Type	Zone Name	Description	Publication
Ballera Exit	Delivery	SWQP-DZ-02	Connects to Ballera Gas Plant, Ballera Compression Facility, CGP	Yes
Tarbat	Delivery	SWQP-DZ-03		Yes
Cheepie	Delivery	SWQP-DZ-03		Yes
Roma	Delivery	SWQP-DZ-03		Yes
Wallumbilla LP Trade Point	Delivery	SWQP-DZ-04	Connects to Wallumbilla Compression Facility A	Yes
GLNG Delivery Stream	Delivery	SWQP-DZ-04	Connects to Wallumbilla Compression Facility B	Yes

Moomba Receipt Points

When transporting gas on the SWQP from Moomba a shipper requires access to a compression service. A shipper may have an existing contract for access to a compression service or may purchase a service through the CTP or DAA.

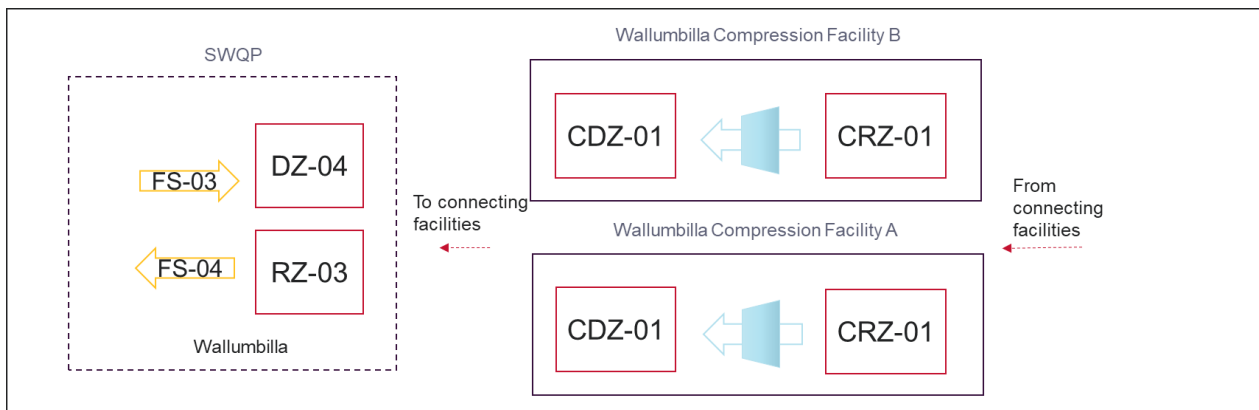
The Moomba Compression Facility (MCF) will be established as a separate facility to the SWQP (see Part B: Compression Facilities for further details). The Moomba HP Trade Point on the SWQP is the outlet of the Moomba Compressor Facility and this service point is:

- the compression delivery point on the MCF; and
- the receipt point on the SWQP.

Wallumbilla Receipt from WCFA and WCFB

The Wallumbilla Compression Facilities will be established as separate facilities to the SWQP. The Wallumbilla HP Trade Point is a receipt point on the SWQP for gas that has been transferred from the Wallumbilla Compression Facilities (or stored on the SWQP). The Wallumbilla HP Trade Point is also specified as the compression delivery point on the Wallumbilla Compression Facility A and Wallumbilla Compression Facility B.

Figure 1 Connection between SWQP and Wallumbilla Compression Facilities



Wallumbilla Delivery Points

The Wallumbilla hub is a connection point for many gas pipelines in southern Queensland. Gas delivered to Wallumbilla on the SWQP can be transferred to connecting gas pipelines via the Wallumbilla Compression Facilities.

The Wallumbilla LP Trade point is a delivery point on the SWQP at Wallumbilla and is also the compression receipt point on the Wallumbilla Compression Facility A and Wallumbilla Compression Facility B.

Park Service Points

APA Group has specified that the Moomba HP Trade Point and the Wallumbilla HP Trade Point are used as park service points on the SWQP (each service will be established as a Park Service Product on the CTP).

Table 3 Zones

Name	Type	Description	CTP Name	Publication
SWQP-RZ-01	Receipt	Moomba	MOO	Yes
SWQP-RZ-02	Receipt	Ballera	BAL	Yes
SWQP-RZ-03	Receipt	Wallumbilla	WAL	Yes
SWQP-DZ-01	Delivery	Moomba Exit	MOO	Yes
SWQP-DZ-02	Delivery	Ballera	BAL	Yes
SWQP-DZ-03	Delivery	South West Queensland	SWQ	Yes
SWQP-DZ-04	Delivery	Wallumbilla	WAL	Yes

Table 4 Pipeline segments

Name	Type	From Location	To Location	Publication
SWQP-FS-01	Forward haul	RZ-01	RZ-02, DZ-02	Yes
SWQP-FS-02	Forward haul	RZ-02, DZ-02	DZ-03	Yes
SWQP-FS-03	Forward haul	DZ-03	DZ-04	Yes
SWQP-FS-04	Forward haul	RZ-03	DZ-03	Yes
SWQP-FS-05	Forward haul	DZ-03	RZ-02, DZ-02	Yes
SWQP-FS-06	Forward haul	RZ-02, DZ-02	DZ-01	Yes

Pipeline segments connecting to Ballera Zones

The pipeline segments to and from Ballera connect to the Ballera receipt and delivery zones. This allows flows exiting or entering SWQP at Ballera to share the same pipeline segments (and hence constraints) with gas flows between Moomba and Wallumbilla.

Figure 2 SWQP zones and pipeline segments

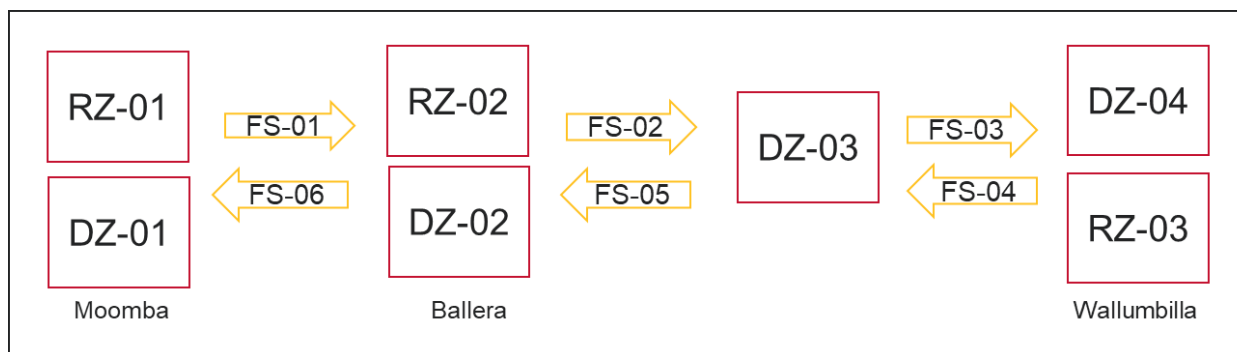


Table 5 Capacity Trading Platform Products

Exchange Name	Type	On-screen	Day-ahead	STTM	DWGM
SWQP-BAL-MOO	Forward haul		Yes		
SWQP-BAL-WAL	Forward haul		Yes		
SWQP-MOO-BAL	Forward haul		Yes		
SWQP-MOO-SWQ	Forward haul		Yes		
SWQP-MOO-WAL	Forward haul	Yes	Yes		
SWQP-WAL-BAL	Forward haul		Yes		
SWQP-WAL-MOO	Forward haul	Yes	Yes		
SWQP-WAL-SWQ	Forward haul		Yes		
SWQP-Park-Moomba	Park		Yes		
SWQP-Park-Wal	Park		Yes		

3. Roma to Brisbane Pipeline

Table 6 Key facility information

Key information	Detail
Facility name	Roma to Brisbane Pipeline (RBP)
Facility operator/owner	APA Group
Location	Queensland
Single or bi-directional pipeline	Single and bi-directional pipeline segments
Services that will be available through the CTP and DAA	Forward haul and Park (CTP only)
Subject to CTP?	Yes
Subject to DAA?	Yes

The Roma to Brisbane Pipeline (RBP) has bi-directional and single direction pipeline segments. The pipeline is bi-directional between Wallumbilla and Kogan allowing forward haul services to be traded in an eastern and western direction. Between Kogan and Brisbane the pipeline allows forward haul in an eastern direction only.

Table 7 Service points

Name	Type	Zone Name	Description	Publication
Wallumbilla Run 3	Receipt	RZ-01		Yes
Wallumbilla Run 4	Receipt	RZ-01		Yes
Wallumbilla Run 7	Receipt	RZ-01		Yes
Wallumbilla Run 1	Receipt	RZ-02	10-inch pipeline	Yes
Wallumbilla Run 2	Receipt	RZ-02	10-inch pipeline	Yes
Scotia	Receipt	RZ-03		Yes
Woodroyd	Receipt	RZ-03		Yes
Argyle	Receipt	RZ-04		Yes

Name	Type	Zone Name	Description	Publication
Condamine	Receipt	RBP-RZ-04		Yes
Kogan North	Receipt	RBP-RZ-04		Yes
Windibri	Receipt	RBP-RZ-04		Yes
RBP Trade Point (IPT)	Receipt	RBP-RZ-04	Notional trade point, Park service withdrawal	Yes
Wambo	Receipt	RBP-RZ-04		Yes
Wallumbilla delivery	Delivery	RBP-DZ-01		Yes
Condamine	Delivery	RBP-DZ-02	Power station	No
Wambo	Delivery	RBP-DZ-02		Yes
RBP Trade Point (IPT)	Delivery	RBP-DZ-02	Notional trade point, Park service injection	Yes
Oakey PS	Delivery	RBP-DZ-03	Power station	No
Swanbank PS	Delivery	RBP-DZ-03	Power station, Brisbane STTM Hub Custody Transfer Point	No
Dalby Bio Refinery	Delivery	RBP-DZ-03		Yes
Dalby Town Council	Delivery	RBP-DZ-03	Gate station	Yes
Oakey APT Allgas	Delivery	RBP-DZ-03	Gate station	Yes
Sandy Creek	Delivery	RBP-DZ-03	Gate station	Yes
Toowoomba	Delivery	RBP-DZ-03	Gate station	Yes
Redbank	Delivery	RBP-DZ-03	Gate station, Brisbane STTM Hub Custody Transfer Point	Yes
Riverview	Delivery	RBP-DZ-03	Gate station, Brisbane STTM Hub Custody Transfer Point	Yes
Ellen Grove	Delivery	RBP-DZ-04	Gate station, Brisbane STTM Hub Custody Transfer Point	Yes
Mt Gravatt	Delivery	RBP-DZ-04	Gate station, Brisbane STTM Hub Custody Transfer Point	Yes

Name	Type	Zone Name	Description	Publication
Runcorn	Delivery	RBP-DZ-04	Gate station, Brisbane STTM Hub Custody Transfer Point	Yes
Ritchie Road	Delivery	RBP-DZ-04	Gate station, Brisbane STTM Hub Custody Transfer Point	Yes
Gibson Island	Delivery	RBP-DZ-05	Brisbane STTM Hub Custody Transfer Point	Yes
Lytton	Delivery	RBP-DZ-05	Brisbane STTM Hub Custody Transfer Point	Yes
Murarrie	Delivery	RBP-DZ-05	Gate station, Brisbane STTM Hub Custody Transfer Point	Yes
Tingalpa	Delivery	RBP-DZ-05	Gate station, Brisbane STTM Hub Custody Transfer Point	Yes

Notional point

The RBP Trade Point (IPT) is a notional point that is used by shippers as the delivery point for commodity trading on the RBP. This point is notionally allocated to the Kogan receipt and delivery zone. The RBP Trade Point will be a forward haul receipt and delivery point.

Park service point

APA Group has specified that the RBP Trade Point be used as the park service point. A shipper that wants to use the park service will therefore need to have a transportation service that allowed it to transport gas to and from this service point, which could be acquired through the CTP or DAA.

Table 8 Zones

Name	Type	Description	CTP Name	Publication
RBP-RZ-01	Receipt	Wallumbilla	WAL	Yes
RBP-RZ-02	Receipt	Wallumbilla (10-inch pipeline)	WAL 10	Yes
RBP-RZ-03	Receipt	Scotia	SCO	Yes
RBP-RZ-04	Receipt	Darling Downs	DAR	Yes
RBP-DZ-01	Delivery	Wallumbilla	WAL	Yes
RBP-DZ-02	Delivery	Western Downs		Yes
RBP-DZ-03	Delivery	Darling Downs	DDZ	Yes
RBP-DZ-04	Delivery	Brisbane West	BRIWST	Yes

Name	Type	Description	CTP Name	Publication
RBP-DZ-05	Delivery	Brisbane East	BRIEST	Yes

Brisbane Zones

Delivery points that are also defined as Brisbane STTM Hub Custody Transfer Points will be split between the following three delivery zones:

- Custody transfer points east of Ellengrove have been split into a separate zone due to the potential risk for the rejection of nominations associated with trades that move capacity from the western suburbs of Brisbane to the eastern suburbs of Brisbane. Modelling performed by the APA Group showed that the transfer of delivery capacity from Ellengrove to Murrarie could breach minimum pressure requirements at the eastern end of the RBP.
- Swanbank delivery point is a STTM Custody Transfer Point for the Brisbane Hub but has not been grouped into the same zone as other Brisbane delivery points. This designation is based on advice from APA Group that capacity at the Swanbank power station cannot be transferred to Brisbane delivery points located to the east of the power station. Instead, the Swanbank delivery point has been grouped into a delivery zone (DZ-03) with the Oakey power station delivery point to enable trade to occur between these locations.
- The Redbank and Riverview delivery points, along with non-STTM delivery points to the west of Brisbane on the 10-inch pipeline, have been allocated to the same delivery zone as the Swanbank and Oakey power station (DZ-03).

Pipeline configuration

The RBP consists of a 10-inch and a 16-inch pipeline. Receipt points on the 10-inch pipeline at Wallumbilla have been split into a separate zone (RZ-02) from the receipt points on the 16-inch pipeline (RZ-01).

Table 9 Pipeline segments

Name	Type	From Location	To Location	Publication
RBP-FS-01	Forward	RZ-01, RZ-02	RZ-03	Yes
RBP-FS-02	Forward	RZ-03	DZ-01	Yes
RBP-FS-03	Forward	RZ-03	RZ-04, DZ-02	Yes
RBP-FS-04	Forward	RZ-04	RZ-03	Yes
RBP-FS-05	Forward	RZ-04	DZ-03	Yes
RBP-FS-06	Forward	DZ-03	DZ-04	Yes
RBP-FS-07	Forward	DZ-04	DZ-05	Yes

Figure 3 RBP zones and pipeline segments

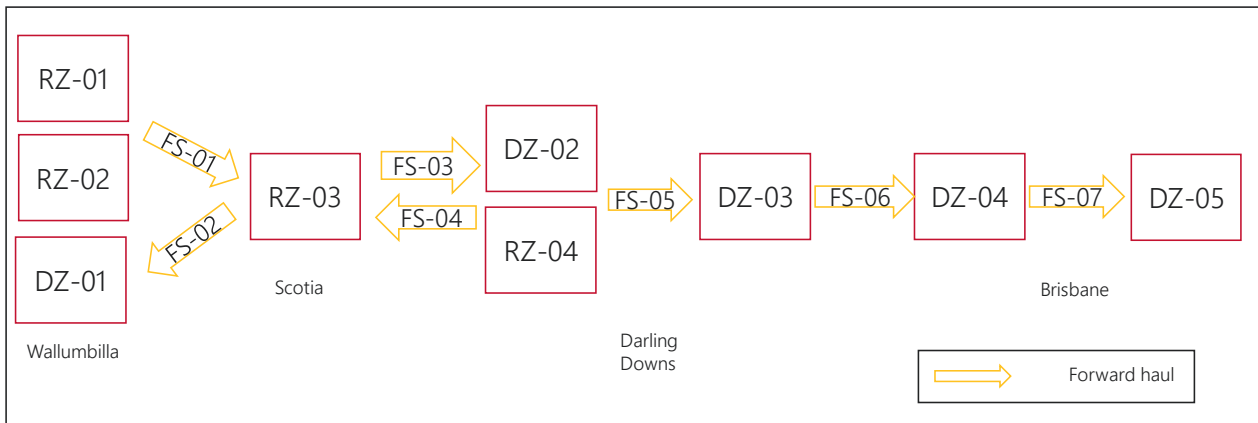


Table 10 Capacity Trading Platform Products

Exchange Name	Type	On-screen	Day-ahead	STTM	DWGM
RBP-DAR-BRIEST-S	Forward haul	Yes		Yes	
RBP-DAR-DDZ	Forward haul	Yes	Yes		
RBP-DAR-WAL	Forward haul	Yes	Yes		
RBP-DAR-BRIWST	Forward haul				
RBP-SCO-BRIEST	Forward haul				
RBP-SCO-BRIWST	Forward haul				
RBP-SCO-DDZ	Forward haul		Yes		
RBP-SCO-WAL	Forward haul		Yes		
RBP-WAL-BRIEST	Forward haul				
RBP-WAL-BRIWST	Forward haul				
RBP-WAL-DDZ	Forward haul		Yes		
RPB-WAL10-DDZ	Forward haul		Yes		
RBP-Park	Park	Yes			

4. Berwyndale to Wallumbilla Pipeline

Table 11 Key facility information

Key information	Detail
Facility name	Berwyndale to Wallumbilla Pipeline (BWP)
Facility operator/owner	APA Group
Location	Queensland
Single or bi-directional pipeline	Bi-directional
Services that will be available through the CTP and DAA	Forward haul only APA has advised that firm park services are not currently available on this pipeline
Subject to CTP?	Yes
Subject to DAA?	Yes

Table 12 Service points

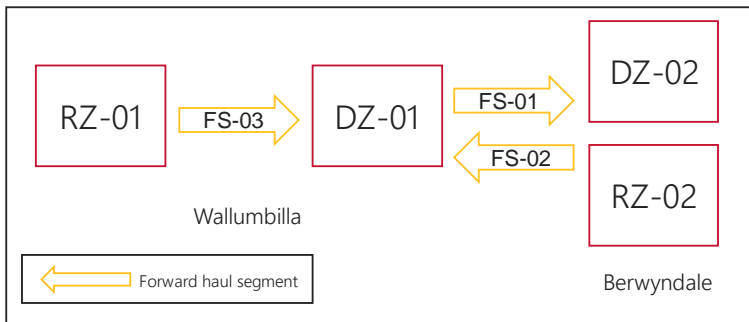
Name	Type	Zone Name	Description	Publication
Wallumbilla	Receipt	BWP-RZ-01		Yes
Berwyndale Entry	Receipt	BWP-RZ-02		Yes
Wallumbilla	Delivery	BWP-DZ-01		Yes
Silver Springs	Delivery	BWP-DZ-01		Yes
Berwyndale Exit	Delivery	BWP-DZ-02		Yes

Table 13 Zones

Name	Type	Description	CTP Name	Publication
BWP-RZ-01	Receipt	Wallumbilla	WAL	Yes
BWP-RZ-02	Receipt	Berwyndale	BER	Yes
BWP-DZ-01	Delivery	Wallumbilla	WAL	Yes
BWP-DZ-02	Delivery	Berwyndale	BER	Yes

Table 14 Pipeline segments

Name	Type	From Location	To Location	Publication
BWP-FS-01	Forward	DZ-01	DZ-02	Yes
BWP-FS-02	Forward	RZ-02	DZ-01	Yes
BWP-FS-03	Forward	RZ-01	DZ-01	Yes

Figure 4 BWP zones and pipeline segments**Table 15 Capacity Trading Platform Products**

Exchange Name	Type	On-screen	Day-ahead	STTM	DWGM
BWP-BER-WAL	Forward haul		Yes		
BWP-WAL-BER	Forward haul		Yes		

5. Wallumbilla to Gladstone Pipeline

Table 16 Key facility information

Key information	Detail
Facility name	Wallumbilla to Gladstone Pipeline (WGP)
Facility operator/owner	APA Group
Location	Queensland
Single or bi-directional pipeline	Single
Services that will be available through the CTP and DAA	Forward haul only APA has advised that firm park services are not currently available on this pipeline
Subject to CTP?	Yes
Subject to DAA?	Yes

Table 17 Service points

Name	Type	Zone Name	Description	Publication
Ruby Jo	Receipt	WGP-RZ-01	Connects to Ruby Jo production facility	Yes
Jordan	Receipt	WGP-RZ-01	Connects to Jordan production facility	Yes
Kenya R	Receipt	WGP-RZ-01	Connects to Kenya Gas Plant, Kenya Connection Point (E04)	Yes
Kenya D	Delivery	WGP-DZ-01	Kenya Connection Point (E04)	Yes
Bellevue R	Receipt	WGP-RZ-01	Bellevue	Yes
Bellevue D	Delivery	WGP-DZ-01		Yes

Name	Type	Zone Name	Description	Publication
Woleebee Creek	Receipt	WGP-RZ-01	Connects to Woleebee Creek production facility	Yes
Wandoan Interconnect Facility – R	Receipt	WGP-RZ-01	Connects to APLNG Pipeline	Yes
Mt Lacom R	Receipt	WGP-RZ-02	Connects to GLNG Gas Transmission Pipeline	Yes
Mt Lacom D	Delivery	WGP-DZ-02	Connects to GLNG Gas Transmission Pipeline	Yes
Curtis Island D	Delivery	WGP-DZ-02	Connects to QCLNG plant	Yes

Table 18 Zones

Name	Type	Description	CTP Name	Publication
WGP-RZ-01	Receipt	Southern Queensland	SQL	Yes
WGP-DZ-01	Delivery	Gas fields	Nil	Yes
WGP-RZ-02	Receipt	Central Queensland	Nil	Yes
WGP-DZ-02	Delivery	Central Queensland	CQL	Yes

Table 19 Pipeline segments

Name	Type	From Location	To Location	Publication
WGP-FS-01	Forward haul	RZ-01	DZ-01	Yes
WGP-FS-02	Forward haul	DZ-01	RZ-02	Yes
WGP-FS-03	Forward haul	RZ-02	DZ-02	Yes

Figure 5 WGP zones and pipeline segments

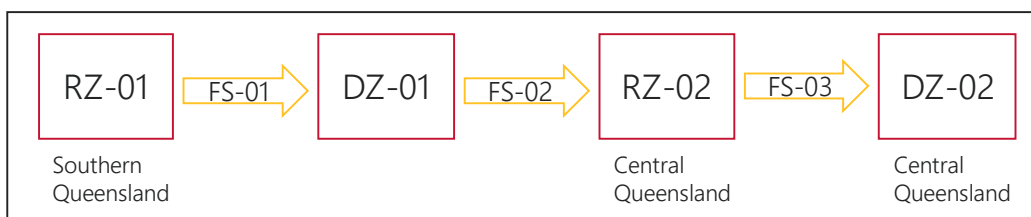


Table 20 Capacity Trading Platform Products

Exchange Name	Type	On-screen	Day-ahead	STTM	DWGM
WGP-SQL-CQL	Forward haul		Yes		

6. Carpentaria Gas Pipeline

Table 21 Key facility information

Key information	Detail
Facility name	Carpentaria Gas Pipeline (CGP)
Facility operator/owner	APA Group
Location	Queensland
Single or bi-directional pipeline	Bi-directional
Services that will be available through the CTP and DAA	Forward haul service only APA has advised that firm park services are not currently available on this pipeline
Subject to CTP?	Yes
Subject to DAA?	Yes

Table 22 Service points

Name	Type	Zone Name	Description	Publication
Ballera	Receipt	CGP-RZ-01	Connection from Ballera Compression Facility	Yes
Ballera Trade Point	Receipt	CGP-RZ-01	Notional point	Yes
NGP Interconnect	Receipt	CGP-RZ-02	Connection from NGP	Yes
Ballera	Delivery	CGP-DZ-01	Connection to SWQP	Yes
Ballera Trade Point	Delivery	CGP-DZ-01	Notional point	Yes
Phosphate Hill	Delivery	CGP-DZ-02		Yes
Cannington Mine	Delivery	CGP-DZ-03		Yes
Osborne	Delivery	CGP-DZ-03		Yes

Name	Type	Zone Name	Description	Publication
Diamantina Power	Delivery	CGP-DZ-04	Power station	No
Mica Creek Power Station	Delivery	CGP-DZ-04	Power station	No
Mt Isa Mines	Delivery	CGP-DZ-04		Yes

Table 23 Zones

Name	Type	Description	CTP Name	Publication
CGP-RZ-01	Receipt	Ballera	BAL	Yes
CGP-RZ-02	Receipt	NGP	NGP	Yes
CGP-DZ-01	Delivery	Ballera	BAL	Yes
CGP-DZ-02	Delivery	Phosphate Hill	PHH	Yes
CGP-DZ-03	Delivery	Cannington	CAN	Yes
CGP-DZ-04	Delivery	Mt Isa	MTI	Yes

Table 24 Pipeline segments

Name	Type	From Location	To Location	Publication
CGP-FS-01	Forward	RZ-01	DZ-02	Yes
CGP-FS-02	Forward	DZ-02	DZ-01	Yes
CGP-FS-03	Forward	DZ-02	DZ-03	Yes
CGP-FS-04	Forward	DZ-02	RZ-02	Yes
CGP-FS-05	Forward	RZ-02	DZ-02	Yes
CGP-FS-06	Forward	RZ-02	DZ-04	Yes

The forward haul pipeline segments are as follows:

- Bi-directional flows to and from Ballera (FS-01, FS-02).
- Flow from Phosphate Hill to Cannington Mine and Osborne (FS-03).
- Bi-directional flows to and from NGP interconnect (FS-04, FS-05).
- Flow to from the NGP Interconnect to the Mt Isa delivery zone (FS-06)

Figure 6 CGP zones and pipeline segments

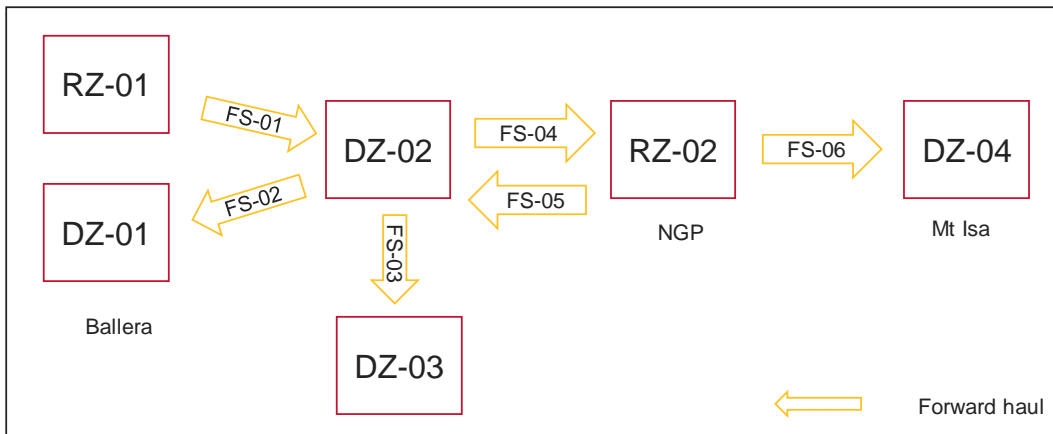


Table 25 Capacity Trading Platform Products

Exchange Name	Type	On-screen	Day-ahead	STTM	DWGM
CGP-BAL-CAN	Forward haul (unbundled – transport only)		Yes		
CGP-BAL-MTI-BDL	Forward haul (bundled APA Ballera compression and CGP transport)	Yes	Yes		
CGP-BAL-PHH	Forward haul (unbundled – transport only)		Yes		
CGP-NGP-BAL	Forward haul	Yes	Yes		
CGP-NGP-CAN	Forward haul		Yes		
CGP-NGP-PHH	Forward haul		Yes		

7. Darling Downs Pipeline

Table 26 Key facility information

Key information	Detail
Facility name	Darling Downs Pipeline (DDP)
Facility operator/owner	Jemena
Location	Queensland Spring Gully to Wallumbilla to Darling Downs. Includes the pipeline formerly referred to as the Spring Gully Pipeline.
Single or bi-directional pipeline	Bi-directional
Services that will be available through the CTP and DAA	Forward haul only. Jemena has advised AEMO that firm park services are not currently available on this pipeline.
Subject to CTP?	Yes
Subject to DAA?	Yes

Table 27 Service points

Name	Type	Zone Name	Description	Publication
Spring Gully Manifold	Receipt	DDP-RZ-01	Spring Gully Gas Plant receipt point	Yes
Talooka	Receipt	DDP-RZ-01		Yes
Spring Gully Manifold	Delivery	DDP-DZ-01		Yes
Wallumbilla Run 6	Delivery	DDP-DZ-02		Yes
Wallumbilla Run 7	Delivery	DDP-DZ-02		Yes
Wallumbilla Compressor Station	Delivery	DDP-DZ-02		Yes
Wallumbilla Run 9	Delivery	DDP-DZ-03		Yes
Atlas Lateral	Receipt	DDP-RZ-02		Yes

Name	Type	Zone Name	Description	Publication
Talinga GPF	Receipt	DDP-RZ-02		Yes
Talinga PCF	Receipt	DDP-RZ-02	Connection point from Talinga Compression Facility	Yes
Talinga PCF	Delivery	DDP-DZ-04	Connection point to Talinga Compression Facility	Yes
Darling Downs Power Station	Delivery	DDP-DZ-05		No
Kenya	Receipt	DDP-RZ-03		Yes
Orana	Receipt	DDP-RZ-03		Yes
Ruby	Receipt	DDP-RZ-03		Yes

Table 28 Zones

Name	Type	Description	CTP Name	Publication
DDP-RZ-01	Receipt	Spring Gully	SGP	Yes
DDP-RZ-02	Receipt	Talinga	TAL	Yes
DDP-RZ-03	Receipt	Surat		Yes
DDP-DZ-01	Delivery	Spring Gully	SGP	Yes
DDP-DZ-02	Delivery	Wallumbilla	WAL2	Yes
DDP-DZ-03	Delivery	Wallumbilla (Run 9)	WAL1	Yes
DDP-DZ-04	Delivery	Talinga	TAL	Yes
DDP-DZ-05	Delivery	Darling Downs PS	DAR	No

Table 29 Pipeline segments

Name	Type	From Location	To Location	Publication
DDP-FS-01	Forward Haul	RZ-01	DZ-02	Yes
DDP-FS-02	Forward Haul	DZ-02	DZ-03	Yes
DDP-FS-03	Forward Haul	DZ-03	RZ-02	Yes

Name	Type	From Location	To Location	Publication
DDP-FS-04	Forward Haul	RZ-02	DZ-05	Yes
DDP-FS-05	Forward Haul	RZ-03	DZ-04	Yes
DDP-FS-06	Forward Haul	RZ-02	DZ-03	Yes
DDP-FS-07	Forward Haul	DZ-03	DZ-02	Yes
DDP-FS-08	Forward Haul	DZ-02	DZ-01	Yes

For western haul transportation on the DDP, a participant will need to purchase capacity from RZ-03 (Surat Basin Receipts) to DZ-04 (Talinga Deliveries). If the participant intends to transport that gas further west via the DDP the participant will need to be able to have its gas transported to RZ-02 (Talinga Receipts) via the Talinga Compression Facility, as the Talinga Compression facility sits between DZ-04 and RZ-02. The participant will also need to purchase DDP capacity from RZ-02 to its final delivery point in the western section of the pipeline.

It is not expected that the Talinga Compression Facility will be included in these reforms. As such, there is no forward haul segment between DZ-04 and RZ-02 which means that the two zones are effectively disconnected. As a consequence, participants seeking to transport gas westward via these zones would need to come to a bilateral agreement with the operator of the Talinga Compression Facility.

Figure 7 DDP zones and pipeline segments

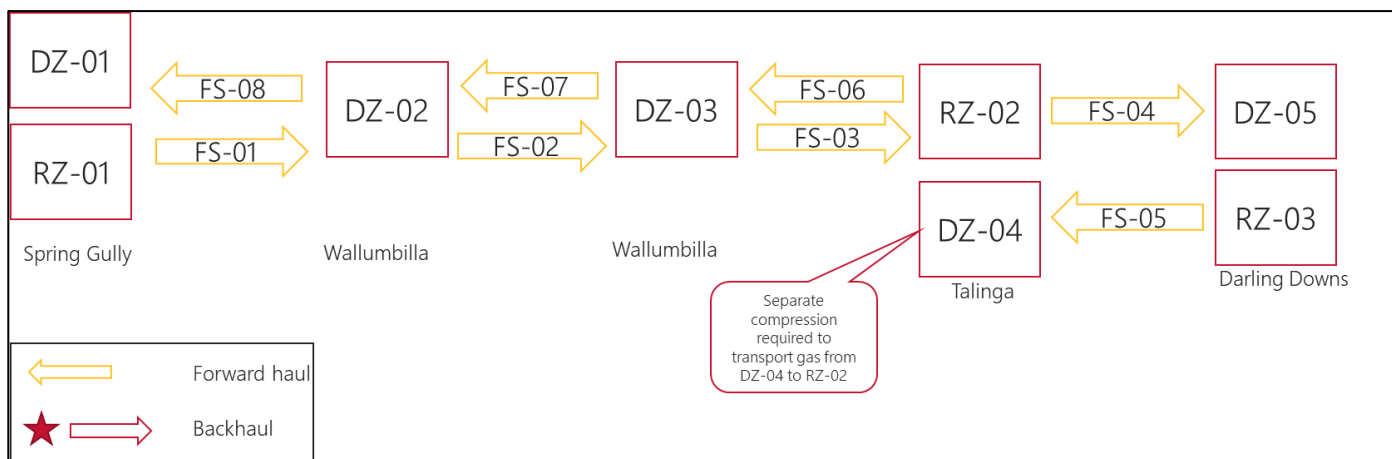


Table 30 Capacity Trading Platform Products

Exchange Name	Type	On-screen	Day-ahead	STTM	DWGM
DDP-SGP-DAR	Forward haul		Yes		
DDP-SGP-TAL	Forward haul		Yes		
DDP-TAL-DAR	Forward haul		Yes		
DDP-TAL-SGP	Forward haul		Yes		

Exchange Name	Type	On-screen	Day-ahead	STTM	DWGM
DDP-TAL-WAL1	Forward haul		Yes		
DDP-TAL-WAL2	Forward haul		Yes		

8. Queensland Gas Pipeline

Table 31 Key facility information

Key information	Detail
Facility name	Queensland Gas Pipeline (QGP)
Facility operator/owner	Jemena
Location	Queensland
Single or bi-directional pipeline	Bi-directional
Services that will be available through the CTP and DAA	Forward haul, Backhaul (DAA only), Jemena has advised that firm park services are not currently available on this pipeline.
Subject to CTP?	Yes
Subject to DAA?	Yes

Table 32 Service points

Name	Type	Zone Name	Description	Publication
Wallumbilla Injection	Receipt	QGP-RZ-01	Injections into the QGP from Wallumbilla Hub	Yes
Wallumbilla QGP to RBP Delivery Point	Delivery	QGP-DZ-06		Yes
Gooimbah	Receipt	QGP-RZ-02	Forward haul receipt point at Gooimbah	Yes
Gooimbah	Delivery	QGP-DZ-05	Notional Point	Yes
Fairview	Receipt	QGP-RZ-02	Forward haul receipt point at Fairview	Yes
Fairview	Delivery	QGP-DZ-05	Notional Point	Yes

Name	Type	Zone Name	Description	Publication
Westgrove	Receipt	QGP-RZ-02	Forward haul receipt point at Westgrove	Yes
Westgrove	Delivery	QGP-DZ-05	Notional Point	Yes
Rolleston	Receipt	QGP-RZ-03	Forward haul receipt point at Rolleston, also a backhaul delivery point	Yes
Rolleston	Backhaul delivery point	N/A		Yes
Moura	Delivery	QGP-DZ-01	Moura delivery point	Yes
Moura	Receipt	QGP-RZ-04	Forward haul receipt point at Moura, also a backhaul receipt point	Yes
Moura	Backhaul receipt point	N/A	Shares auction quantity limit with forward haul receipt point.	Yes
Queensland Nitrates Plant	Delivery	QGP-DZ-01		Yes
Boyne Island	Delivery	QGP-DZ-03		Yes
Yarwun	Delivery	QGP-DZ-02	Power station	No
Gladstone	Delivery	QGP-DZ-03	Distribution network	Yes
Orica	Delivery	QGP-DZ-03		Yes
Queensland Alumina	Delivery	QGP-DZ-03		Yes
Wide Bay	Delivery	QGP-DZ-02		Yes
Northern Oil Refineries	Delivery	QGP-DZ-03		Yes
Queensland Magnesia	Delivery	QGP-DZ-04		Yes
Rockhampton	Delivery	QGP-DZ-04	Distribution network	Yes

Backhaul service points

The backhaul service points for the DAA include:

- Moura, which will be a backhaul receipt point; and
- Rolleston, which will be a backhaul delivery point.

Table 33 Zones

Name	Type	Description	CTP Name	Publication
QGP-RZ-01	Receipt	Wallumbilla	WAL	Yes
QGP-RZ-02	Receipt	Mid-line Receipt	MLR	Yes
QGP-RZ-03	Receipt	Rolleston		Yes
QGP-RZ-04	Receipt	Moura		Yes
QGP-DZ-01	Delivery	Moura	MOU	Yes
QGP-DZ-02	Delivery	Gladstone 1	GLD1	Yes
QGP-DZ-03	Delivery	Gladstone 2	GLD2	Yes
QGP-DZ-04	Delivery	Rockhampton	ROC	Yes
QGP-DZ-05	Delivery	Mid-line notional Delivery		Yes
QGP-DZ-06	Delivery	Wallumbilla		Yes

Table 34 Pipeline segments

Name	Type	From Location	To Location	Publication
QGP-FS-01	Forward haul	RZ-01	RZ-02	Yes
QGP-FS-02	Forward haul	RZ-02	RZ-03	Yes
QGP-FS-03	Forward haul	RZ-03	DZ-01, RZ-04	Yes
QGP-FS-04	Forward haul	DZ-01, RZ-04	DZ-02	Yes
QGP-FS-05	Forward Haul	DZ-02	DZ-03	Yes
QGP-FS-06	Forward Haul	DZ-02	DZ-04	Yes
QGP-FS-07	Forward Haul	RZ-03	RZ-02, DZ-05	Yes
QGP-FS-08	Forward Haul	RZ-02, DZ-05	DZ-06	Yes

Name	Type	From Location	To Location	Publication
QGP-BS-01	Backhaul	Moura Receipt	Rolleston Backhaul Delivery Point	Yes

Figure 8 QGP zones and pipeline segments

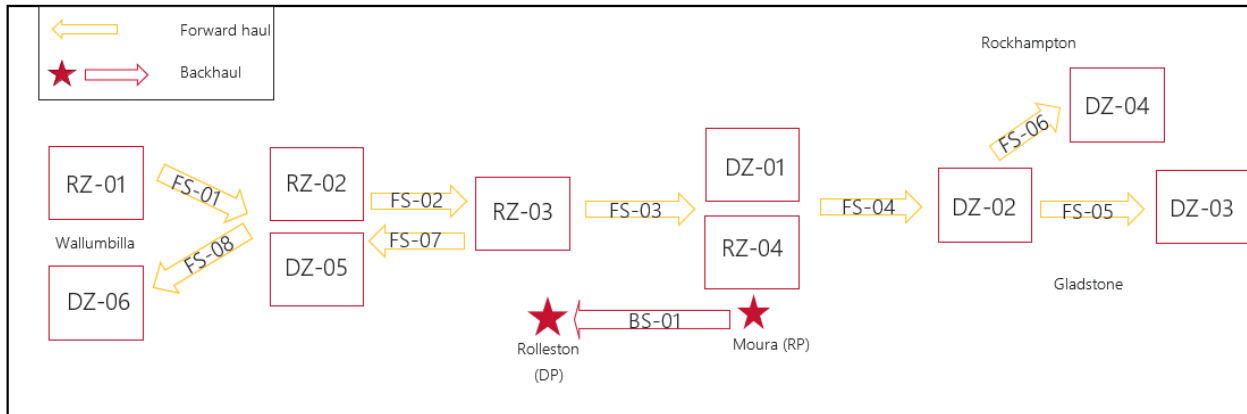


Table 35 Capacity Trading Platform Products

Exchange Name	Type	On-screen	Day-ahead	STTM	DWGM
QGP-MLR-GLD2	Forward haul	Yes	Yes		
QGP-MLR-GLD1	Forward haul		Yes		
QGP-MLR-MOU	Forward haul		Yes		
QGL-MLR-ROC	Forward haul		Yes		
QGP-WAL-GLD2	Forward haul		Yes		

9. Roma Pipeline

Table 36 Key facility information

Key information	Detail
Facility name	Roma Pipeline (RP)
Facility operator/owner	Origin
Location	Queensland
Single or bi-directional pipeline	Single direction
Services that will be available through the CTP and DAA	Forward haul Firm park services are not currently available on this pipeline.
Subject to CTP?	Yes
Subject to DAA?	Yes

Table 37 Service points

Name	Type	Zone Name	Description	Publication
SWQP Receipt (Gate Station)	Receipt	RP-RZ-01	Connection from the SWQP	No
Roma Power Station Offtake	Delivery	RP-DZ-01	Power Station	No
Roma Township Offtake	Delivery	RP-DZ-01	Distribution Network	No

Table 38 Zones

Name	Type	Description	CTP Name	Publication
RP-RZ-01	Receipt	Wallumbilla	RP-RZ-01	No
RP-DZ-01	Delivery	Wallumbilla	RP-DZ-01	No

Table 39 Pipeline segments

Name	Type	From Location	To Location	Publication
RP-FS-01	Forward haul	RZ-01	DZ-01	No

Table 40 Capacity Trading Platform Products

Exchange Name	Type	On-screen	Day-ahead	STTM	DWGM
RP-WAL-ROM	Forward haul		Y		

10. Moomba to Adelaide Pipeline System

Table 41 Key facility information

Key information	Detail
Facility name	Moomba to Adelaide Pipeline System (MAPS)
Facility operator/owner	EPIC Energy
Location	South Australia
Single or bi-directional pipeline	Single and bi-directional segments
Services that will be available through the CTP and DAA	Forward haul, Park (CTP only)
Subject to CTP?	Yes
Subject to DAA?	Yes

Table 42 Service points

Name	Type	Zone Name	Description	Publication
Moomba Injection	Receipt	MAPS-RZ-01		Yes
QSN Injection	Receipt	MAPS-RZ-01		Yes
MAPS In-Pipe Trade Point	Receipt	MAPS-RZ-01	Notional point	Yes
Park account receipt point	Receipt	MAPS-RZ-01	Park service point	Yes
PPIMS Injection	Receipt	MAPS-RZ-02		Yes
Adelaide metro	Receipt	MAPS-RZ-03	Notional point	Yes
Amtcor	Delivery	MAPS-DZ-03		Yes
Angaston ABC	Delivery	MAPS-DZ-03		Yes
Angaston Riverland	Delivery	MAPS-DZ-03		Yes

Name	Type	Zone Name	Description	Publication
Angaston Town	Delivery	MAPS-DZ-03	Gate station	Yes
Freeling	Delivery	MAPS-DZ-03	Gate station	Yes
Nuriootpa	Delivery	MAPS-DZ-03	Gate station	Yes
Sheoak Log	Delivery	MAPS-DZ-03		Yes
Tanunda	Delivery	MAPS-DZ-03		Yes
Pacific Salt	Delivery	MAPS-DZ-04		Yes
Port Bonython	Delivery	MAPS-DZ-04		Yes
Port Pirie	Delivery	MAPS-DZ-04	Gate station	Yes
Whyalla BHP	Delivery	MAPS-DZ-04		Yes
Whyalla Cogen	Delivery	MAPS-DZ-04		Yes
Whyalla Town	Delivery	MAPS-DZ-04	Gate station	Yes
Frost Road	Delivery	MAPS-DZ-06		Yes
Hi-Tech Hydroponics	Delivery	MAPS-DZ-06		Yes
Osborne	Delivery	MAPS-DZ-06	Power station	No
Pelican Point	Delivery	MAPS-DZ-06	Power station	No
Quarantine PS	Delivery	MAPS-DZ-06	Power station	No
Snapper Point PS	Delivery	MAPS-DZ-06	Power station	No
Virginia	Delivery	MAPS-DZ-06	Gate station	Yes
Adelaide metro delivery point	Delivery	MAPS-DZ-05	Metro delivery points, Gate stations, Adelaide STTM Hub Custody Transfer Points	Yes
Dry Creek	Delivery	MAPS-DZ-05	Power station	No
Torrens Island PS	Delivery	MAPS-DZ-05	Power station	No
Bolivar PS	Delivery	MAPS-DZ-05	Power station	No

Name	Type	Zone Name	Description	Publication
Moomba Withdrawal	Delivery	MAPS-DZ-01		Yes
QSN	Delivery	MAPS-DZ-01	Notional point	Yes
MAPS In-Pipe Trade Point	Delivery	MAPS-DZ-01	Notional point	Yes
Park account delivery point	Delivery	MAPS-DZ-01	Park service point	Yes
Beverley	Delivery	MAPS-DZ-02		Yes
Burra	Delivery	MAPS-DZ-02	Gate station	Yes
Hallett	Delivery	MAPS-DZ-02	Power station	No
Mintaro	Delivery	MAPS-DZ-02	Power station	No
Peterborough	Delivery	MAPS-DZ-02	Gate station	Yes
Wasleys Metro Farms	Delivery	MAPS-DZ-02		Yes

Adelaide Metro Notional Point

EPIC has advised that the Adelaide Metro notional point is used as a forward haul receipt point only. Gas available at this location could be an offset to Adelaide STTM hub delivery points or gas stored on the pipeline. EPIC has also advised that shippers contract for firm northern haul services with the ability to receipt gas at the PPIMS Injection or the Adelaide metro receipt points. Forward haul services from the Southern receipt zone will be available for trading through the CTP and the DAA.

Adelaide Metro Delivery Point

Elizabeth, Gepps Cross and Taperoo delivery points connect to the Adelaide distribution network. EPIC has advised that contracting and nominations for delivery to these locations is carried out through the Adelaide metro delivery point.

Table 43 Adelaide Metro Delivery Point

Name	Type	Facility	Description
Elizabeth	Delivery	MAPS	Adelaide STTM Custody Transfer Point
Gepps Cross	Delivery	MAPS	Adelaide STTM Custody Transfer Point
Taperoo	Delivery	MAPS	Adelaide STTM Custody Transfer Point

Park Service Point

The specified park service point is located around Moomba at the Park account receipt and delivery point. A shipper that wants to use the park service will therefore need to have a transportation service that allowed it to transport gas to and from this service point, which could be acquired through the CTP or DAA.

Table 44 Zones

Name	Type	Description	CTP Name	Publication
MAPS-RZ-01	Receipt	Northern	NRZ	Yes
MAPS-RZ-02	Receipt	Southern	SRZ	Yes
MAPS-RZ-03	Receipt	Metro Mainline		Yes
MAPS-DZ-01	Delivery	Northern	NDZ	Yes
MAPS-DZ-02	Delivery	Rural Mainline	RUM	Yes
MAPS-DZ-03	Delivery	Angaston		Yes
MAPS-DZ-04	Delivery	Iron Triangle	IRT	Yes
MAPS-DZ-05	Delivery	Metro Mainline		Yes
MAPS-DZ-06	Delivery	Loopline		Yes

Table 45 Pipeline segments

Name	Type	From Location	To Location	Publication
MAPS-FS-01	Forward haul	RZ-01	DZ-02	Yes
MAPS-FS-02	Forward haul	RZ-01	DZ-01	Yes
MAPS-FS-03	Forward haul	DZ-02	RZ-01	Yes
MAPS-FS-04	Forward haul	DZ-02	DZ-03	Yes
MAPS-FS-05	Forward haul	DZ-02	DZ-04	Yes
MAPS-FS-06	Forward haul	DZ-02	DZ-05	Yes
MAPS-FS-07	Forward haul	DZ-02	DZ-06	Yes
MAPS-FS-08	Forward haul	DZ-06	DZ-02	Yes
MAPS-FS-09	Forward haul	RZ-03	DZ-02	Yes
MAPS-FS-10	Forward haul	RZ-03	DZ-05	Yes
MAPS-FS-11	Forward haul	RZ-03	DZ-03	Yes
MAPS-FS-12	Forward haul	DZ-06	DZ-03	Yes

Name	Type	From Location	To Location	Publication
MAPS-FS-13	Forward haul	DZ-06	DZ-05	Yes
MAPS-FS-14	Forward haul	RZ-03	DZ-06	Yes
MAPS-FS-15	Forward haul	RZ-02	DZ-06	Yes

Figure 9 MAPS zones and pipeline segments

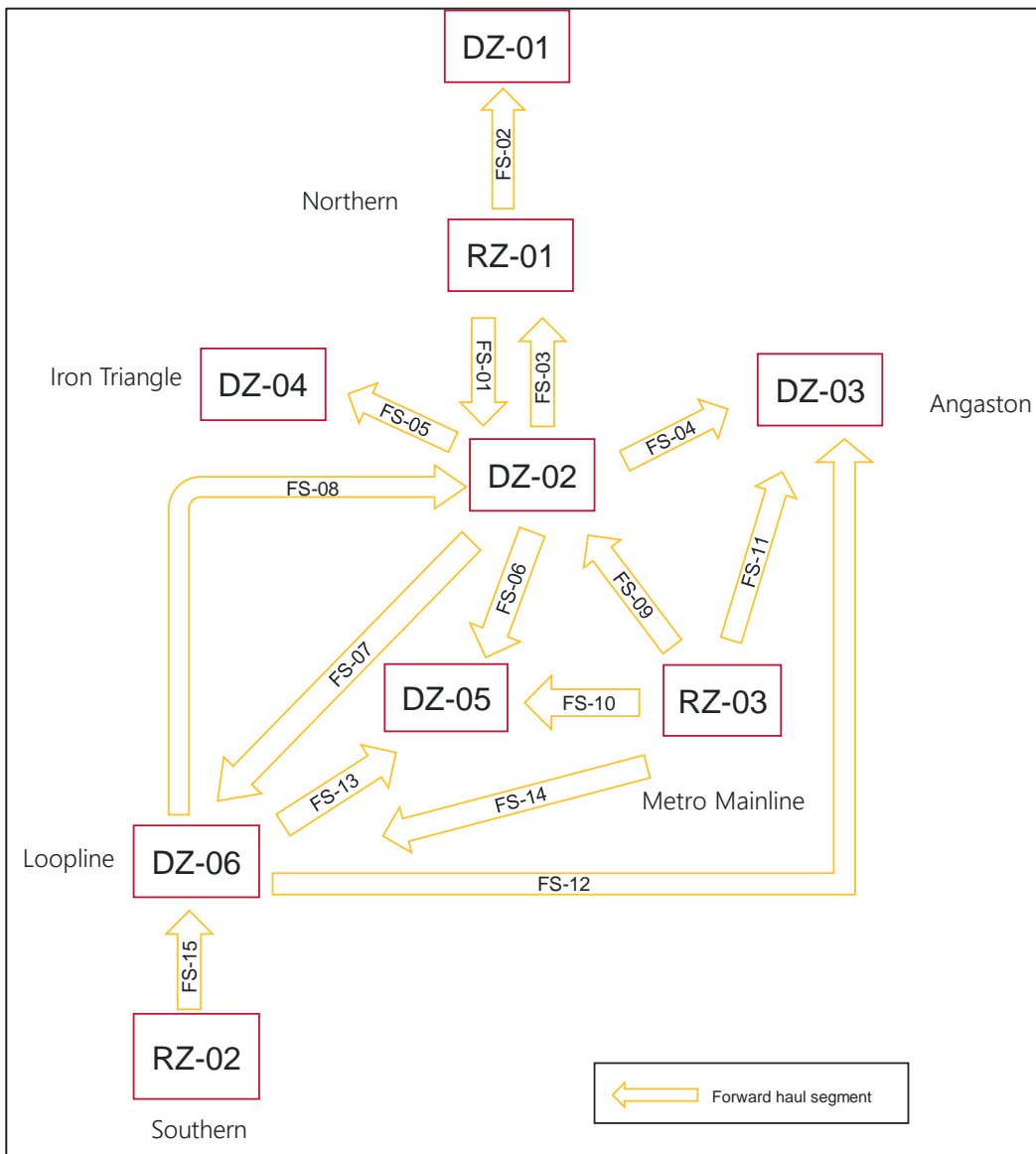


Table 46 Capacity Trading Platform Products

Exchange Name	Type	On-screen	Day-ahead	STTM	DWGM
MAPS-NOR-MET-S	Forward haul	Yes		Yes	
MAPS-NOR-LOO	Forward haul	Yes	Yes		

Exchange Name	Type	On-screen	Day-ahead	STTM	DWGM
MAPS-NRZ-ANG	Forward haul		Yes		
MAPS-NRZ-IRT	Forward haul		Yes		
MAPS-NRZ-RUM	Forward haul		Yes		
MAPS-SRZ-NDZ	Forward haul		Yes		
MAPS-Park	Park	Yes			

11. Port Campbell to Adelaide Pipeline

Table 47 Key facility information

Key information	Detail
Facility name	Port Campbell to Adelaide Pipeline (PCA)
Facility operator/owner	SEAGas
Location	Victoria – South Australia
Single or bi-directional pipeline	Single direction
Services that will be available through the CTP and DAA	Forward Haul, Backhaul (DAA only) SEAGas has advised that firm park services are not currently available on this pipeline
Subject to CTP?	Yes
Subject to DAA?	Yes

The Port Campbell to Adelaide pipeline (PCA) links gas production facilities in the Otway basin to Adelaide

Table 48 Service points

Name	Type	Zone Name	Description	Publication
Athena – PCA	Receipt	PCA-RZ-01		Yes
Langley – PCA	Receipt	PCA-RZ-01	Also a backhaul delivery point	Yes
Langley – PCA	Backhaul delivery point	N/A	Connection to PCI. Auction quantity limit set as offset of scheduled flows at forward haul receipt point.	Yes
Otway – PCA	Receipt	PCA-RZ-01		Yes
Iona	Receipt	PCA-RZ-01	Also a backhaul delivery point.	Yes

Name	Type	Zone Name	Description	Publication
Iona	Backhaul delivery point	N/A	Auction quantity limit set as offset of scheduled flows at forward haul receipt point.	Yes
Adelaide notional point	Receipt	PCA-RZ-02	Also a backhaul delivery point	Yes
Adelaide notional point	Backhaul delivery point	N/A	Auction quantity limit set as offset of scheduled flows at forward haul receipt point.	Yes
Jervois	Delivery	PCA-DZ-03	Also a backhaul delivery point	Yes
Jervois	Backhaul delivery point	N/A	Shares auction quantity limit with forward haul delivery point.	Yes
Bolivar	Delivery	PCA-DZ-03	Also a backhaul delivery point	Yes
Bolivar	Backhaul delivery point	N/A	Shares auction quantity limit with forward haul delivery point.	Yes
Cavan	Delivery	PCA-DZ-03	Backhaul receipt point, Adelaide STTM Custody Transfer Point. Also a backhaul receipt point.	Yes
Cavan	Backhaul receipt point	N/A	Auction quantity limit set as offset of scheduled flows at forward haul delivery point.	Yes
Torrens Island	Delivery	PCA-DZ-03	Power Station	No
Quarantine	Delivery	PCA-DZ-03	Power Station	No

Name	Type	Zone Name	Description	Publication
Pelican Point	Delivery	PCA-DZ-03	Power Station and MAP connection	No
Poolaijelo	Delivery	PCA-DZ-02	Connects to SESA pipeline, also a backhaul delivery point	Yes
Poolaijelo	Backhaul delivery point	N/A	Shares auction quantity limit with forward haul delivery point.	Yes
Naracoorte	Delivery	PCA-DZ-02	Also a backhaul delivery point	Yes
Naracoorte	Backhaul delivery point	N/A	Shares auction quantity limit with forward haul delivery point.	Yes
Langley Delivery	Delivery	PCA-DZ-01		Yes
Iona Delivery	Delivery	PCA-DZ-01		Yes

Backhaul service points

The following backhaul service points have been specified for the PCA:

- The Cavan forward haul delivery point has been specified as a backhaul receipt point, which would allow the offset of deliveries to the STTM hub.
- Jervois, Bolivar, Naracoorte and Poolaijelo are specified as forward haul and a backhaul delivery points. Unused capacity at these service points will be shared between forward haul and backhaul services.
- The Iona and Langley-PCA forward haul receipt points are also defined as backhaul delivery points that would allow the offset of injections into the pipeline.

Adelaide Notional Point

Adelaide notional point has been included in the specification as a backhaul delivery point and a forward haul receipt point. The notional point would allow an auction participant to combine an auction backhaul service (from the Cavan STTM interface point) with a forward haul auction service to the Adelaide delivery zone (DZ-03).

Table 49 Zones

Name	Type	Description	CTP Name	Publication
PCA-RZ-01	Receipt	Port Campbell	PTC	Yes
PCA-RZ-02	Receipt	Adelaide		Yes
PCA-DZ-01	Delivery	Port Campbell		Yes
PCA-DZ-02	Delivery	South-east South Australia	SESA	Yes
PCA-DZ-03	Delivery	Adelaide	ADE	Yes

Adelaide STTM Hub mixed zone

There is a single delivery zone (PCA-DZ-03) defined for the Adelaide section of the pipeline that groups STTM and non-STTM custody transfer points. A STTM integrated product will be listed on the CTP, which will allow the trading of capacity at the Cavan delivery point.

Table 50 Pipeline segments

Name	Type	From Location	To Location	Publication
PCA-FS-01	Forward haul	RZ-01	DZ-01	Yes
PCA-FS-02	Forward haul	RZ-01	DZ-02	Yes
PCA-FS-03	Forward haul	DZ-02	RZ-02	Yes
PCA-FS-04	Forward haul	RZ-02	DZ-03	Yes
PCA-BS-01	Backhaul	Cavan	Adelaide notional point, Jervois, Bolivar, Naracoorte, Poolaijelo, Iona, Langley – PCA	Yes

Backhaul segments

There is a single backhaul segment from Cavan to the backhaul delivery points on the pipeline (BS-01).

While backhaul delivery points are located along the pipeline, the key constraint for backhaul services on the pipeline is the flow at Cavan. Under the specification, all purchasers of backhaul services on the PCA will compete for a share of the backhaul segment (BS-01) limit.

Figure 10 PCA zones and pipeline segments

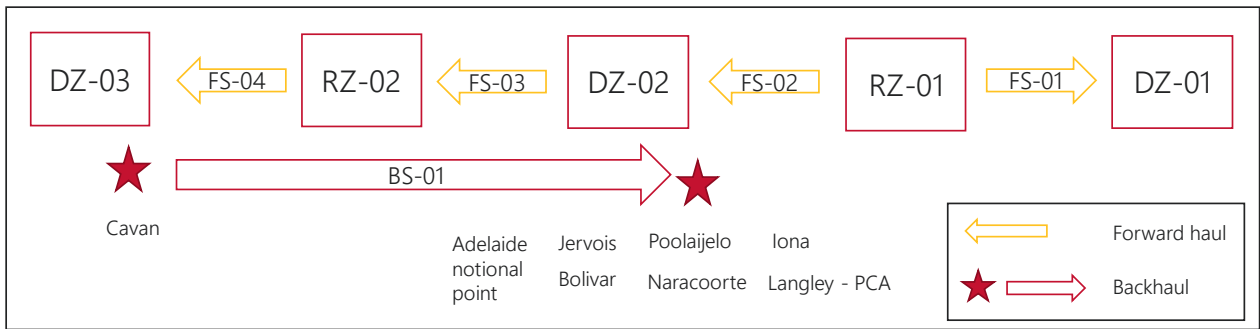


Table 51 Capacity Trading Platform Products

Exchange Name	Type	On-screen	Day-ahead	STTM	DWGM
PCA-PTC-ADE-S	Forward haul	Yes		Yes	
PCA-PTC-ADE	Forward haul				
PCA-PTC-SESA	Forward haul		Yes		

12. Port Campbell to Iona Pipeline

Table 52 Key facility information

Key information	Detail
Facility name	Port Campbell to Iona Pipeline (PCI)
Facility operator/owner	SEAGas
Location	Victoria – South Australia
Single or bi-directional pipeline	Single direction
Services that will be available through the CTP and DAA	Forward Haul, Backhaul (DAA only) SEAGas has advised that firm park services are not currently available on this pipeline
Subject to CTP?	Yes
Subject to DAA?	Yes

The Port Campbell to Iona pipeline (PCI) links gas production, pipeline and storage facilities in the Otway region.

Table 53 Service points

Name	Type	Zone Name	Description	Publication
Athena – PCI	Receipt	PCI-RZ-01	Also a backhaul delivery point	Yes
Athena – PCI	Backhaul Delivery Point	N/A	Auction quantity limit set as offset of scheduled flows at forward haul receipt point.	Yes
Langley – PCI	Receipt	PCI-RZ-01	Also a backhaul delivery point	Yes
Langley – PCI	Backhaul Delivery Point	N/A	Auction quantity limit set as offset of scheduled flows at forward haul receipt point.	Yes
Otway – PCI	Receipt	PCI-RZ-01		Yes

Name	Type	Zone Name	Description	Publication
SWCP	Receipt	PCI-RZ-02	Connection from South West Pipeline (DWGM)	Yes
Otway UFM 4	Receipt	PCI-RZ-03	Connection from to Otway Gas Plant	Yes
M-UGS	Receipt	PCI-RZ-04	Connection from Iona Underground Storage Facility	Yes
MIJ-001 – PCI	Receipt	PCI-RZ-05	Connection from Mortlake	Yes
Langley – PCI	Delivery	PCI-DZ-01		Yes
Athena – PCI	Delivery	PCI-DZ-01	Athena delivery	Yes
SWP	Delivery	PCI-DZ-02	Connects to South West Pipeline (DWGM), also a backhaul receipt point	Yes
SWP	Backhaul Receipt Point	N/A	Auction quantity limit set as offset of scheduled flows at forward haul delivery point.	Yes
MPSWCP	Delivery	PCI-DZ-02	Connects to South West Pipeline (DWGM), known as Mortlake DWGM connection point	Yes
SWCP	Delivery	PCI-DZ-02	Connects to South West Pipeline (DWGM), known as Otway DWGM connection point	Yes
Otway UFM 4	Delivery	PCI-DZ-03	Connects to Otway Gas Plant	Yes
M-UGS	Delivery	PCI-DZ-04	Connects to Iona Underground Storage Facility	Yes
MIJ-001 – PCI	Delivery	PCI-DZ-05	Connects to Mortlake pipeline	Yes

DWGM Interface Points

The PCI has three DWGM interface points:

1. SWP: Connection point between SEAGas and the DTS (MIRN: 30000168PC (injection) and 30000169PC (withdrawal)).
2. MPSWCP: Mortlake injections into the DTS (MIRN: 30000197PC).
3. SWCP: Otway Connection point with the DTS (MIRNs: 30000181PC (injection) and 30000182PC (withdrawal)).

To acquire capacity at the DWGM interface points, a participant must be accredited at the point in the DWGM. Any transfers at a DWGM interface point will result in a participant's MHQ bid accreditation constraint being automatically adjusted. To utilise capacity at a DWGM interface point the participant will need to be scheduled in the DWGM.

Backhaul service points

The PCI has the following backhaul service points:

- The SWP (DWGM) forward haul delivery point has been specified as a backhaul receipt point that would allow the offset of deliveries from the SEAGas pipeline to the South West Pipeline.
- The Langley East forward haul receipt point is also defined as a backhaul delivery point that would allow the offset of injections into the pipeline.

A backhaul service from the SWP to Langley – PCI will allow gas purchased in the DWGM to be transported to the PCA via Langley – PCI.

Table 54 Zones

Name	Type	Description	CTP Name	Publication
PCI-RZ-01	Receipt	Athena Receipt	MIN	Yes
PCI-RZ-02	Receipt	DWGM Receipt		Yes
PCI-RZ-03	Receipt	Otway Receipt	OTW	Yes
PCI-RZ-04	Receipt	Iona Receipt		Yes
PCI-RZ-05	Receipt	Mortlake Receipt		Yes
PCI-DZ-01	Delivery	Athena Delivery		Yes
PCI-DZ-02	Delivery	DWGM Delivery	DWGM	Yes
PCI-DZ-03	Delivery	Otway Delivery		Yes
PCI-DZ-04	Delivery	Iona Delivery		Yes

Name	Type	Description	CTP Name	Publication
PCI-DZ-05	Delivery	Mortlake Delivery		Yes

Table 55 Pipeline segments

Name	Type	From Location	To Location	Publication
PCI-FS-01	Forward haul	RZ-01	DZ-01	Yes
PCI-FS-02	Forward haul	RZ-01	RZ-05, DZ-05	Yes
PCI-FS-03	Forward haul	RZ-01	DZ-02	Yes
PCI-FS-04	Forward haul	RZ-05, DZ-05	DZ-02	Yes
PCI-FS-05	Forward haul	RZ-05	DZ-04	Yes
PCI-FS-06	Forward haul	RZ-03	DZ-02	Yes
PCI-FS-07	Forward haul	RZ-04	DZ-05, RZ-05	Yes
PCI-FS-08	Forward haul	RZ-02	DZ-03	Yes
PCI-BS-01	Backhaul	SWP	Langley – PCI, Athena – PCI	Yes

Forward haul segments

The following are the forward haul segments for the PCI:

- Forward haul segments from Athena receipt zone to Athena, DWGM and Mortlake delivery zones (FS-01, FS-02, FS-03).
- Forward haul segment connecting the Mortlake receipt zone and the DWGM delivery zone (FS-04).
- Bi-directional flow between Iona and Mortlake zones (FS-05, FS-07).
- Bi-directional flow between Otway and DWGM zones (FS-06, FS-08).

Backhaul segments

Consistent with the specification of backhaul service points, the backhaul segment for the PCI extends from SWP to Langley East.

Figure 11 PCI zones and pipeline segments

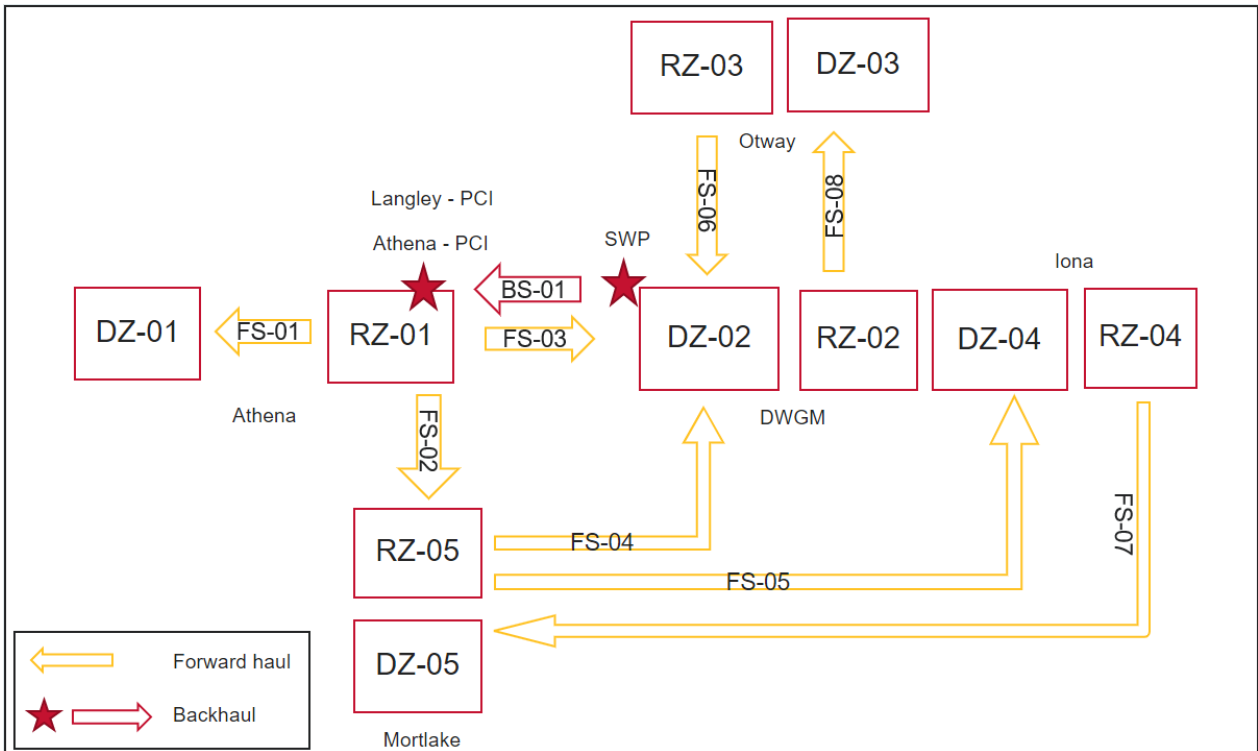


Table 56 Capacity Trading Platform Products

Exchange Name	Type	On-screen	Day-ahead	STTM	DWGM
PCI-MIN-DWGM	Forward haul	Yes	Yes		Yes
PCI-OTW-DWGM	Forward haul		Yes		Yes

13. South East South Australia Pipeline

Table 57 Key facility information

Key information	Detail
Facility name	South East South Australia Pipeline (SESA)
Facility operator/owner	APA Group
Location	South Australia
Single or bi-directional pipeline	Single
Services that will be available through the CTP and DAA	Forward haul only. APA group has advised that firm park services are not currently available on this pipeline.
Subject to CTP?	Yes
Subject to DAA?	Yes

Table 58 Service points

Name	Type	Zone Name	Description	Publication
SEAGas Entry Point	Receipt	SESA-RZ-01		No
South East Pipeline	Delivery	SESA-DZ-01		No
Ladbroke Grove GT1	Delivery	SESA-DZ-01	Power station	No
Ladbroke Grove GT2	Delivery	SESA-DZ-01	Power station	No

Table 59 Zones

Name	Type	Description	CTP Name	Publication
SESA-RZ-01	Receipt	SESA Receipt Zone	RZ1	No
SESA-DZ-01	Delivery	SESA Delivery Zone	DZ1	No

Table 60 Pipeline segments

Name	Type	From Location	To Location	Publication
SESA-FS-01	Forward haul	RZ-01	DZ-01	No

Table 61 Capacity Trading Platform Products

Exchange Name	Type	On-screen	Day-ahead	STTM	DWGM
SESA-RZ1-DZ1	Forward haul		Yes		

14. South East Pipeline System

Table 62 Key facility information

Key information	Detail
Facility name	South East Pipeline System (SEPS)
Facility operator/owner	EPIC Energy
Location	South Australia
Single or bi-directional pipeline	Single
Services that will be available through the CTP and DAA	Forward haul only
Subject to CTP?	Yes
Subject to DAA?	Yes

Table 63 Service points

Name	Type	Zone Name	Description	Publication
SESAP	Receipt	SEPS-RZ-01		No
Katnook	Receipt	SEPS-RZ-01		No
Penola	Delivery	SEPS-DZ-01		No
Mt Gambier	Delivery	SEPS-DZ-02	Gate Station	No
Kimberly Clark	Delivery	SEPS-DZ-03		No

Table 64 Zones

Name	Type	Description	CTP Name	Publication
SEPS-RZ-01	Receipt	SESAP Receipt	SEA	No
SEPS-DZ-01	Delivery	Penola	PEN	No

Name	Type	Description	CTP Name	Publication
SEPS-DZ-02	Delivery	Mt Gambier		No
SEPS-DZ-03	Delivery	Kimberley Clark		No

Table 65 Pipeline segments

Name	Type	From Location	To Location	Publication
SEPS-FS-01	Forward haul	RZ-01	DZ-01	No
SEPS-FS-02	Forward haul	RZ-01	DZ-02	No
SEPS-FS-03	Forward haul	RZ-01	DZ-03	No

Table 66 Capacity Trading Platform Products

Exchange Name	Type	On-screen	Day-ahead	STTM	DWGM
SEP-SEA-PEN	Forward haul		Yes		

15. Eastern Gas Pipeline

Table 67 Key facility information

Key information	Detail
Facility name	Eastern Gas Pipeline (EGP)
Facility operator/owner	Jemena
Location	Victoria – New South Wales
Single or bi-directional pipeline	Single direction pipeline
Services that will be available through the CTP and DAA	Forward haul, Park (CTP only), Backhaul (DAA only)
Subject to CTP?	Yes
Subject to DAA?	Yes

Table 68 Service points

Name	Type	Zone Name	Description	Publication
Longford	Receipt	EGP-RZ-01	Connection point from Longford Gas Plant to the EGP	Yes
Longford (EGP)	Receipt	EGP-RZ-02	Park service receipt point.	Yes
VicHub Pipeline	Backhaul receipt point	N/A	Auction quantity limit set as offset of scheduled flows at forward haul delivery point.	Yes
Tasmania Gas Pipeline Delivery	Delivery	EGP-DZ-07	Connection point from EGP to TGP. Also a backhaul receipt point.	Yes
Tasmania Gas Pipeline	Backhaul receipt point	N/A	Auction quantity limit set as offset of scheduled flows at forward haul delivery point.	Yes
VicHub Pipeline	Delivery	EGP-DZ-01	Connection point from EGP to VicHub. VicHub is also a backhaul receipt point and backhaul delivery point.	Yes
VicHub Pipeline	Backhaul delivery point	N/A	Shares auction quantity limit with forward haul delivery point.	Yes

Name	Type	Zone Name	Description	Publication
Longford (EGP)	Delivery	EGP-DZ-02	This point is used to nominate delivery for park and backhaul services on the EGP.	Yes
Longford (EGP)	Backhaul delivery point	N/A	Shares auction quantity limit with forward haul delivery point.	Yes
Bairnsdale	Delivery	EGP-DZ-02	Connects to Bairnsdale power station. Bairnsdale is also a backhaul delivery point.	No
Bairnsdale	Backhaul Delivery Point	N/A	Shares auction quantity limit with forward haul delivery point	No
Bairnsdale city gate	Delivery	EGP-DZ-02	Connects to Bairnsdale network	Yes
Orbost	Receipt	EGP-RZ-03	Connects Orbost Gas Plant to the EGP. Also, a backhaul receipt point.	Yes
Orbost	Backhaul receipt Point	N/A	Shares auction quantity limit with forward haul receipt point	
EGP to Orbost	Delivery	EGP-DZ-08	Connects EGP to Orbost Gas Plant	Yes
Orbost notional point	Backhaul delivery point	N/A	Notional point for backhaul delivery	Yes
Cooma	Delivery	EGP-DZ-03	Connects to Cooma network	Yes
Bombala	Delivery	EGP-DZ-03	Connects to Bombala Network	Yes
Hoskinstown	Delivery	EGP-DZ-04	Connects to Hoskinstown network (Canberra)	Yes
Nowra	Delivery	EGP-DZ-04	Connects to Nowra network	Yes
Bomaderry	Delivery	EGP-DZ-04	Connects to Bomaderry network	Yes
Shoalhaven Starches	Delivery	EGP-DZ-04	Connects to Shoalhaven Starches network	Yes
Tallawarra	Delivery	EGP-DZ-05	Power station Tallawarra is also a backhaul delivery point	No

Name	Type	Zone Name	Description	Publication
Tallawarra	Backhaul delivery point	N/A	Shares auction quantity limit with forward haul delivery point	No
Port Kembla	Delivery	EGP-DZ-05	Connects to the Wollongong network at Port Kembla. Port Kembla is a Sydney STTM Hub Custody Transfer Point.	Yes
Albion Park	Delivery	EGP-DZ-05	Connects to Wollongong network at Albion Park. Albion Park is a Sydney STTM Hub Custody Transfer Point	Yes
Horsley Park	Delivery	EGP-DZ-05	Connects to the Sydney network at Horsley Park. Horsley Park is a Sydney STTM Hub Custody Transfer Point. Horsley Park is a backhaul receipt point	Yes
Horsley Park	Backhaul receipt point	N/A	Auction quantity limit set as offset of scheduled flows at forward haul delivery point.	Yes
Smithfield	Delivery	EGP-DZ-05	Connects to Smithfield power station	No
Moomba to Sydney Pipeline (MSP) – Wilton	Delivery	EGP-DZ-06	Connects to the MSP. Also, a backhaul receipt point.	Yes
Moomba to Sydney Pipeline (MSP) – Wilton	Backhaul Receipt Point	N/A	Auction quantity limit set as offset of scheduled flows at forward haul delivery point	Yes
Wilton Jemena Gas Networks	Delivery	EGP-DZ-06	Connects to the Sydney network at Wilton. Wilton Jemena Gas Networks is a Sydney STTM Hub Custody Transfer Point.	Yes

Park Service Point

The park service point is located at Longford (EGP). A shipper that wants to use the park service will therefore need to have a transportation service that allows it to transport gas to and from this service point (the service point will be located in DZ-01 and RZ-01).

Backhaul Service Points

The backhaul service points include:

- the Horsley Park, MSP – Wilton, Orbost and VicHub service points (backhaul receipt points); and
- the Tallawarra, Bairnsdale, VicHub and Longford EGP service points (backhaul delivery points).

Specifying these points would facilitate the following backhaul products:

- Horsley Park or MSP Wilton backhaul receipt points to the Tallawarra, Bairnsdale, VicHub or Longford EGP backhaul delivery points;
- Orbost backhaul receipt point to the Longford EGP, Bairnsdale or VicHub backhaul delivery points; and
- VicHub backhaul receipt point to the Longford EGP backhaul delivery point.

Table 69 Zones

Name	Type	Description	CTP Name	Publication
EGP-RZ-01	Receipt	Longford	LON	Yes
EGP-DZ-01	Delivery	VicHub		Yes
EGP-DZ-02	Delivery	Bairnsdale	BDALE	Yes
EGP-DZ-03	Delivery	Snowy	SNOWY	Yes
EGP-RZ-03	Receipt	Orbost	ORB	Yes
EGP-DZ-04	Delivery	South Coast	STHCST	Yes
EGP-DZ-05	Delivery	Sydney	SYD	Yes
EGP-DZ-06	Delivery	Wilton	WIL	Yes
EGP-DZ-07	Delivery	TGP Transfer	TGP	Yes
EGP-DZ-08	Delivery	Orbost		Yes

Sydney STTM hub mixed zone

The Sydney STTM zone is divided into the following zones:

- DZ-05, which includes the STTM custody transfer points at Albion Park, Port Kembla and Horsley park and the non-STTM points at Smithfield and Tallawarra (both of which are power stations).
- DZ-06, which includes the delivery point at Wilton on the MSP and the Jemena Gas Network Wilton STTM custody transfer point.

It was necessary to separate DZ-06 from DZ-05 as the Wilton points sit on their own lateral. DZ-06 is a mixed zone for STTM integration.

Table 70 Pipeline segments

Name	Type	From Location	To Location	Publication
EGP-FS-01	Forward haul	RZ-01	DZ-01	Yes
EGP-FS-02	Forward Haul	DZ-01	DZ-02	Yes
EGP-FS-03	Forward haul	DZ-02	RZ-03	Yes
EGP-FS-03	Forward haul	DZ-02	DZ-08	Yes
EGP-FS-04	Forward haul	RZ-03	DZ-03	Yes
EGP-FS-04	Forward haul	DZ-08	DZ-03	Yes
EGP-FS-05	Forward haul	DZ-03	DZ-04	Yes
EGP-FS-06	Forward haul	DZ-04	DZ-05	Yes
EGP-FS-07	Forward haul	DZ-05	DZ-06	Yes
EGP-FS-08	Forward haul	RZ-01	DZ-07	Yes
EGP-FS-09	Forward haul	RZ-03	DZ-02	Yes
EGP-FS-10	Forward Haul	DZ-02	DZ-01	Yes
EGP-BS-01	Backhaul	Horsley Park; MSP Wilton	Tallawarra	Yes
EGP-BS-02	Backhaul	Tallawarra	Orbost	Yes
EGP-BS-05	Backhaul	VicHub Pipeline (RP)	Vichub Pipeline (DP), Longford (EGP)	Yes
EGP-BS-06	Backhaul	TGP (RP)	Longford (EGP)	Yes

TGP transfer service

Jemena and Palisade have advised that the TGP delivery point on the EGP would need to be in its own zone to reserve capacity for the EGP – TGP transfer service, which is required to transport gas on the TGP. The TGP delivery point has been allocated to its own delivery zone (DZ-07), which will be linked through a forward haul pipeline segment (FS-08) from the Longford receipt zone RZ-01. The segment and zone capacity will reflect the CBU capacity for the EGP – TGP transfer service.

Figure 12 EGP zones and pipeline segments

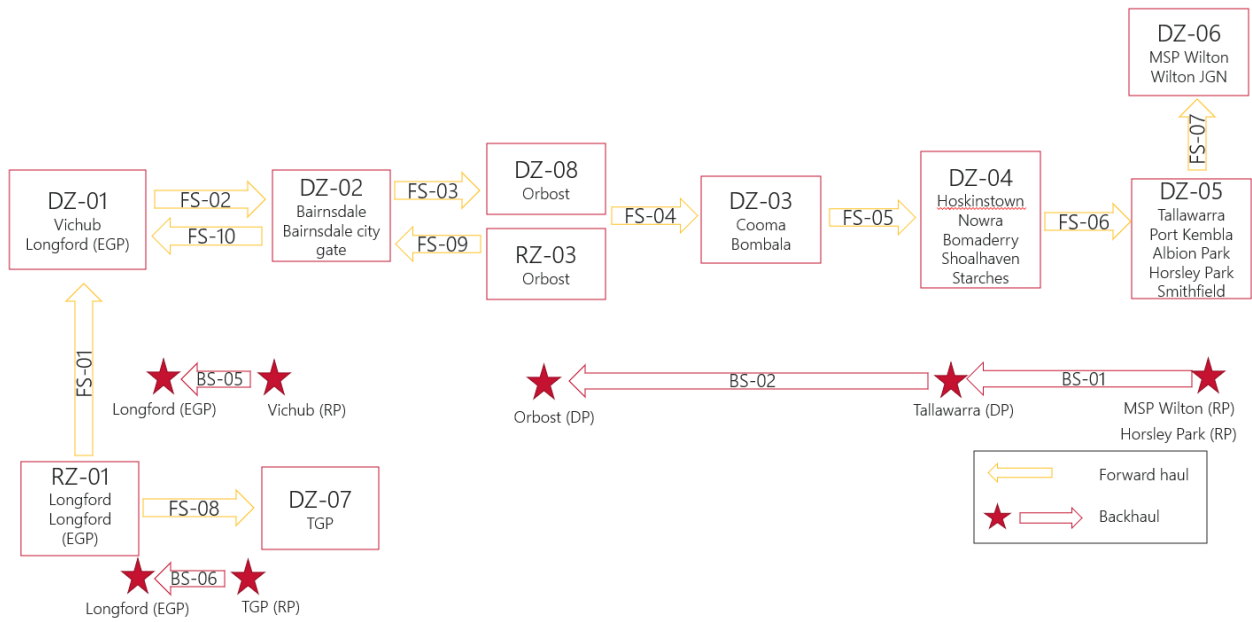


Table 71 Capacity Trading Platform Products

Exchange Name	Type	On-screen	Day-ahead	STTM	DWGM
EGP-LON-SYD-S	Forward haul	Yes		Yes	
EGP-LON-WIL	Forward haul	Yes			
EGP-LON-BDALE	Forward haul		Yes		
EGP-LON-SNOWY	Forward haul		Yes		
EGP-LON-STHCST	Forward haul		Yes		
EGP-LON-SYD	Forward haul		Yes		
EGP-LON-TGP	Forward haul		Yes		
EGP-ORB-SYD	Forward haul		Yes		
EGP-Park	Park	Yes			

16. Moomba to Sydney, Central West and Central Ranges Pipeline

Table 72 Key facility information

Key information	Detail
Facility name	Moomba to Sydney Pipeline (MSP) (includes the CWP and CRP)
Facility operator/owner	APA Group
Location	South Australia – New South Wales
Single or bi-directional pipeline	MSP: Bi-directional CWP and CRP: Single direction
Services that will be available through the CTP and DAA	Forward Haul, Park (CTP only), Backhaul (DAA only)
Subject to CTP?	Yes
Subject to DAA?	Yes

APA Group has registered the Central West Pipeline (CWP) and Central Ranges Pipeline (CRP) as forming part of the Moomba to Sydney Pipeline (MSP) for the purposes of the CTP and DAA.

Table 73 Service points

Name	Type	Zone Name	Description	Publication
MSP Inlet	Receipt	MSP-RZ-01		Yes
EGP Entry	Receipt	MSP-RZ-02		Yes
Wilton Trade Point	Receipt	MSP-RZ-02	Notional point, Park service.	Yes
Culcairn North	Receipt	MSP-RZ-03	DWGM interface point	Yes

Name	Type	Zone Name	Description	Publication
Culcairn Trade Point	Receipt	MSP-RZ-03	Notional point, Park service	Yes
MAPS Exit	Delivery	MSP-DZ-01		Yes
MGP Exit	Delivery	MSP-DZ-01		Yes
SWQP Exit	Delivery	MSP-DZ-01		Yes
Bulla Park	Delivery	MSP-DZ-02		Yes
West Wyalong	Delivery	MSP-DZ-02		Yes
Marsden	Delivery	MSP-DZ-02	Central West Pipeline	Yes
Dubbo	Delivery	MSP-DZ-03	Central Ranges Pipeline	Yes
Wallerawang	Delivery	MSP-DZ-04	Gate station	Yes
Lithgow	Delivery	MSP-DZ-04	Gate station	Yes
Blayney	Delivery	MSP-DZ-04	Gate station	Yes
Bathurst	Delivery	MSP-DZ-04	Gate station	Yes
Cootamundra	Delivery	MSP-DZ-04	Gate station	Yes
Cowra	Delivery	MSP-DZ-04	Gate station	Yes
Illabo	Delivery	MSP-DZ-04	Gate station	Yes
Millthorpe	Delivery	MSP-DZ-04	Gate station	Yes
Oberon Distribution Delivery Stream	Delivery	MSP-DZ-04	Gate station	Yes
Orange	Delivery	MSP-DZ-04	Gate station	Yes
Wagga	Delivery	MSP-DZ-04	Gate station	Yes
Wallendbeen	Delivery	MSP-DZ-04	Gate station	Yes
Young	Delivery	MSP-DZ-04	Gate station	Yes
Oberon Plant Delivery Stream	Delivery	MSP-DZ-04		Yes
Junee	Delivery	MSP-DZ-05	Gate station	Yes

Name	Type	Zone Name	Description	Publication
Coolamon	Delivery	MSP-DZ-05	Gate station	Yes
Ganmain	Delivery	MSP-DZ-05	Gate station	Yes
Narrandera	Delivery	MSP-DZ-05	Gate station	Yes
Rockdale	Delivery	MSP-DZ-05	Gate station	Yes
Leeton	Delivery	MSP-DZ-05	Gate station	Yes
Murrumbidgee	Delivery	MSP-DZ-05	Gate station	Yes
Griffith	Delivery	MSP-DZ-05	Gate station	Yes
Boorowa	Delivery	MSP-DZ-06	Gate station	Yes
Yass	Delivery	MSP-DZ-06	Gate station	Yes
Goulburn	Delivery	MSP-DZ-06	Gate station	Yes
Marulan	Delivery	MSP-DZ-06	Gate station	Yes
Sallys Corner	Delivery	MSP-DZ-06	Gate station	Yes
Moss Vale	Delivery	MSP-DZ-06	Gate station	Yes
Bowral	Delivery	MSP-DZ-06	Gate station	Yes
Bargo	Delivery	MSP-DZ-06	Gate station	Yes
Wilton	Delivery	MSP-DZ-06	Gate station, Sydney STTM Hub Custody Transfer Point	Yes
Wilton Trade Point	Delivery	MSP-DZ-06	Notional point, Park service point	Yes
Canberra	Delivery	MSP-DZ-07	Gate station	Yes
Holbrook	Delivery	MSP-DZ-08	Gate station	Yes
Henty	Delivery	MSP-DZ-08	Gate station	Yes
Uranquinty Power Station	Delivery	MSP-DZ-08		No
Uranquinty	Delivery	MSP-DZ-08	Gate station	Yes
Culcairn South	Delivery	MSP-DZ-08	DWGM interface point	Yes

Name	Type	Zone Name	Description	Publication
Culcairn Trade Point	Delivery	MSP-DZ-08	Notional point, Park service	Yes

DWGM interface points

There are two DWGM interface points on the MSP:

- Culcairn South, MIRN:20000001PC
- Culcairn North MIRN:20000002PC

Culcairn South and North are DWGM interface points. To acquire capacity at Culcairn South or North, a participant must be accredited to inject at Culcairn south or withdraw at Culcairn North in the DWGM. Any transfers of capacity at Culcairn South or Culcairn North will result in a participant's MHQ bid accreditation constraint being automatically adjusted. See the Guide to Transportation Service Point Register for more information on DWGM integration.

Notional points and park service points

There are two notional points available on the MSP:

1. Culcairn Trade Point located at Culcairn near the Culcairn South DWGM interface point.
2. Wilton Trade Point located near Sydney and the Sydney STTM point at Wilton.

Each notional point is specified as a forward haul receipt and delivery point. The notional points are also specified as the point for injection and withdrawal for designated park services on the MSP.

CWP and CRP service points

APA Group has registered the following service points for the CWP and CRP:

- Marsden: shippers transporting gas to Dubbo, Parkes, Forbes or Narromine delivery points on the CWP make an aggregate nomination to the CWP nomination point.
- Dubbo: shippers transporting gas to Tamworth on the CRP make a nomination to the CRP nomination point.

Backhaul to Wilton EGP

APA has informed AEMO that backhaul to Wilton EGP is permitted from the Wilton Trade Point.

If a participant seeks to backhaul gas onto the EGP then they would transport gas to the Wilton Trade Point (a forward haul service) and would then make a nomination to APA to use the Wilton EGP backhaul nomination point. The purchase of additional backhaul capacity on the MSP is not required by the shipper.

Table 74 Zones

Name	Type	Description	CTP Name	Publication
MSP-RZ-01	Receipt	Moomba	MOO	Yes
MSP-RZ-02	Receipt	Sydney		Yes
MSP-RZ-03	Receipt	Culcairn	CUL	Yes
MSP-DZ-01	Delivery	Moomba	MOO	Yes

MSP-DZ-02	Delivery	CWP	CWP	Yes
MSP-DZ-03	Delivery	CRP	CRP	Yes
MSP-DZ-04	Delivery	Central	CEN	Yes
MSP-DZ-05	Delivery	South West	SW	Yes
MSP-DZ-06	Delivery	Sydney	SYD	Yes
MSP-DZ-07	Delivery	Canberra	CAN	Yes
MSP-DZ-08	Delivery	Culcairn	CUL	Yes

DWGM mixed zone

DZ-08 includes the delivery points at Culcairn South, Uranquinty, Uranquinty Power Station, Holbrook, Henty and the Culcairn Trade point. Demand at Culcairn South and Uranquinty Power Station is variable. Including both points in the same demand zone should enable participants to trade unutilised contracted capacity between these two points, subject to there being sufficient available physical capacity on the pipeline and at each delivery point.

Sydney STTM hub mixed zone

There is a mixed zone (DZ-06) for the Sydney STTM on the MSP, which will include the Wilton STTM point, the Wilton Trade Point, and the Booroowa, Yass, Goulburn, Marulan, Sally's Corner, Moss Vale, Bowral and Bargo delivery points. An STTM integrated product will be listed on the CTP, which will allow the trading of capacity at the Wilton (Sydney STTM Hub) delivery point.

Table 75 Pipeline segments

Name	Type	From Location	To Location	Publication
MSP-FS-01	Forward haul	RZ-01	DZ-02	Yes
MSP-FS-02	Forward haul	DZ-02	DZ-01	Yes
MSP-FS-03	Forward haul	DZ-02	DZ-03	Yes
MSP-FS-04	Forward haul	DZ-02	DZ-04	Yes
MSP-FS-05	Forward haul	DZ-04	DZ-02	Yes
MSP-FS-06	Forward haul	DZ-04	DZ-05	Yes
MSP-FS-07	Forward haul	DZ-04	DZ-06	Yes
MSP-FS-08	Forward haul	DZ-04	DZ-07	Yes
MSP-FS-09	Forward haul	DZ-04	DZ-08	Yes

Name	Type	From Location	To Location	Publication
MSP-FS-10	Forward haul	DZ-06	DZ-04	Yes
MSP-FS-11	Forward haul	DZ-08	DZ-04	Yes
MSP-FS-12	Forward haul	RZ-03	DZ-08	Yes
MSP-FS-13	Forward haul	RZ-02	DZ-06	Yes

Figure 13 MSP zones and pipeline segments

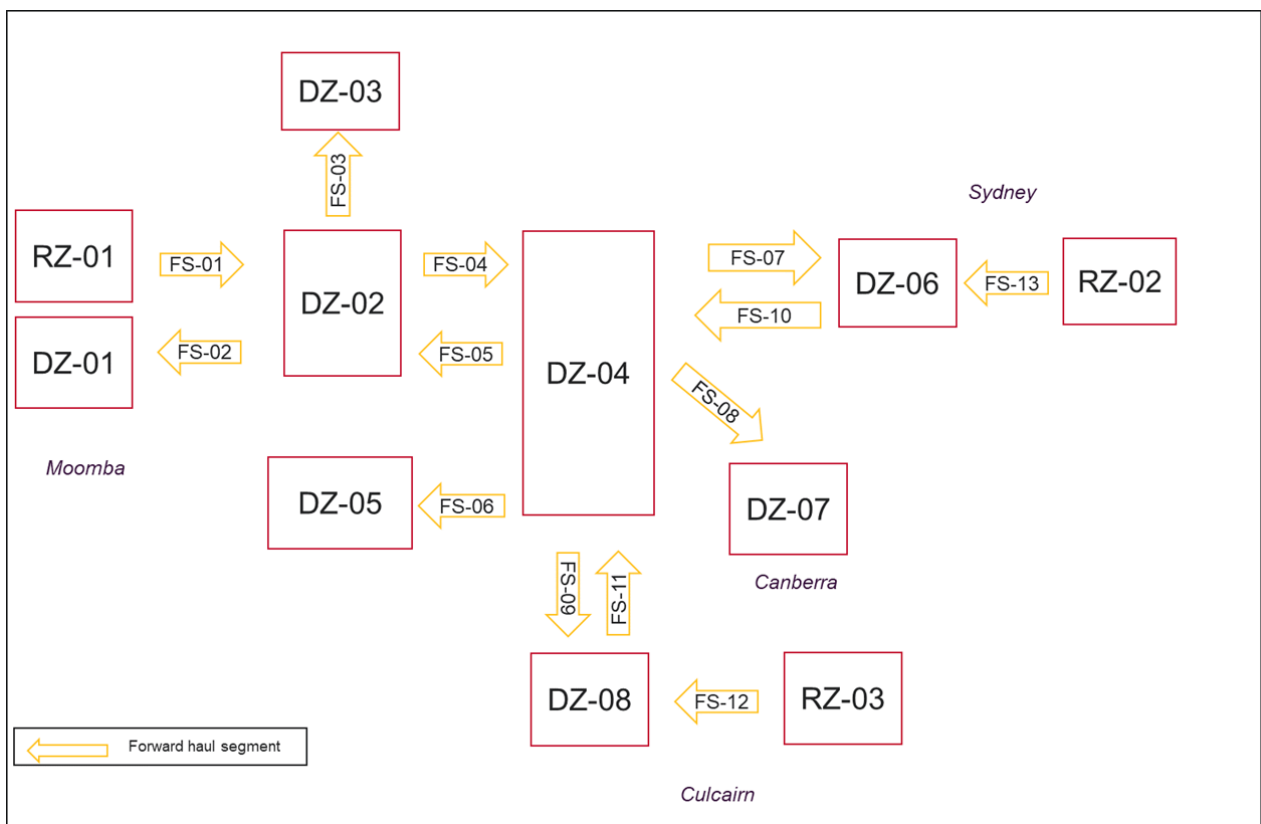


Table 76 Capacity Trading Platform Products

Exchange Name	Type	On-screen	Day-ahead	STTM	DWGM
MSP-CUL-MOO	Forward haul	Yes	Yes		Yes
MSP-MOO-CUL	Forward haul	Yes	Yes		Yes
MSP-MOO-SYD-S	Forward haul	Yes		Yes	
MSP-CUL-SYD	Forward haul		Yes		Yes
MSP-MOO-CAN	Forward haul		Yes		

Exchange Name	Type	On-screen	Day-ahead	STTM	DWGM
MSP-MOO-CEN	Forward haul		Yes		
MSP-MOO-CRP	Forward haul		Yes		
MSP-MOO-CWP	Forward haul		Yes		
MSP-MOO-SW	Forward haul		Yes		
MSP-SYD-MOO	Forward haul		Yes		
MSP-Park-Culcairn	Park	Yes			
MSP-Park-Wilton	Park	Yes			

17. VicHub Pipeline

Table 77 Key facility information

Key information	Detail
Facility name	VicHub Pipeline
Facility operator/owner	Jemena
Location	Victoria
Single or bi-directional pipeline	Single
Services that will be available through the CTP and DAA	Forward haul, Backhaul (DAA only)
Subject to CTP?	Yes
Subject to DAA?	Yes

Table 78 Service points

Name	Type	Zone Name	Description	Publication
Eastern Gas Pipeline	Receipt	VicHub-RZ-01	Connection point from EGP to VicHub. Also a backhaul delivery point.	Yes
Eastern Gas Pipeline	Backhaul delivery point	N/A	Auction quantity limit set as offset of scheduled flows at forward haul receipt point.	Yes
Declared Transmission System	Delivery	VicHub-DZ-01	Connection point from VicHub to the DTS. This is a DWGM interface point. Also a backhaul receipt point.	Yes
Declared Transmission System	Backhaul receipt point	N/A	Auction quantity limit set as offset of scheduled flows at forward haul delivery point	Yes

DWGM Interface Points

The VicHub pipeline has two DWGM interface points:

1. Declared Transmission System (forward haul delivery point) MIRN:30000167PC
2. Declared Transmission System (backhaul receipt point) MIRN:30000168PC

To acquire capacity at a DTS service point, a participant must be accredited at the VicHub MIRN in the DWGM. Any transfers of capacity at VicHub (DTS service point) may result in a participant’s MHQ bid accreditation constraint being automatically adjusted. See the Wholesale Market Accreditation Procedures (Victoria).

Backhaul Service Points

The backhaul service points include:

- the DTS service point (backhaul receipt point); and
- the EGP service point (backhaul delivery point).

These service points will allow gas procured from the DWGM to be backhauled to the EGP via the VicHub Pipeline.

Table 79 Zones

Name	Type	Description	CTP Name	Publication
VicHub-RZ-01	Receipt	EGP Zone	EGP	Yes
VicHub-DZ-01	Delivery	DWGM interface Zone	DWGM	Yes

Table 80 Pipeline segments

Name	Type	From Location	To Location	Publication
VicHub-FS-01	Forward haul	RZ-01	DZ-01	Yes
VicHub-BS-01	Backhaul	Declared Transmission System	Eastern Gas Pipeline	Yes

Backhaul Segment

Consistent with the backhaul service points, the backhaul pipeline segment will extend from the DTS service point to the EGP service point via BS-01.

Figure 14 VicHub zones and pipeline segments

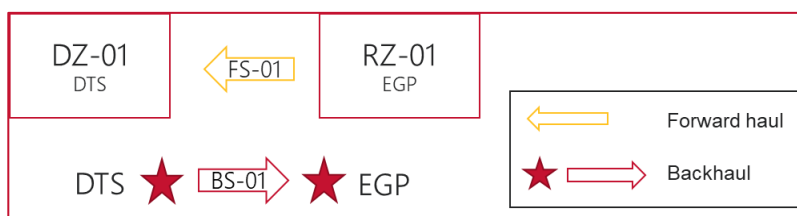


Table 81 Capacity Trading Platform Products

Exchange Name	Type	On-screen Day-ahead	STM	DWGM
VICH-EGP-DWGM	Forward haul	Yes		

Bidirectional Flow on EGP

Jemena has informed AEMO of the potential for VicHub to change specification from a single direction to a bidirectional pipeline. If the specification of VicHub does change in the future, then the following amendments would be made to the TSPR:

- the existing EGP receipt point would also be classified as a delivery point,
- the EGP delivery point would be assigned to a new delivery zone (DZ-02),
- the existing DTS delivery point would also be classified as a receipt point,
- the DTS receipt point would be assigned to a new receipt zone (RZ-02), and

the backhaul segment (BS-01) would be replaced with a forward haul pipeline segment (FS-02).

Service points

Name	Type	Zone Name	Description	Publication
Eastern Gas Pipeline	delivery	DZ-02		Yes
Declared Transmission System	receipt	RZ-02		Yes

Zones

Name	Type	Description	CTP Name	Publication
VicHub-DZ-02	Delivery	EGP Zone	EGP	Yes
VicHub-RZ-02	Receipt	DWGM interface Zone	DWGM	Yes

Pipeline Segments

Name	Type	From Location	To Location	Publication
EGP-FS-09	Forward haul	RZ-03	DZ-01	Yes

Products available for pre-matched trading

Pipeline Receipt Zone	Receipt Zone Description	Pipeline Delivery Zone	Delivery Zone Description
VicHub-RZ-02	DTS	VicHub-DZ-02	EGP



18. Tasmanian Gas Pipeline

Table 82 Key facility information

Key information	Detail
Facility name	Tasmanian Gas Pipeline (TGP)
Facility operator/owner	Palisade Asset Management Pty Ltd
Location	Victoria – Tasmania
Single or bi-directional pipeline	Single
Services that will be available through the CTP and DAA	Forward Haul, Park (CTP only), Backhaul (DAA)
Subject to CTP?	Yes
Subject to DAA?	Yes
Other notes	To deliver gas onto this pipeline a shipper must also have access to the TGP transfer service, which is provided by the EGP.

Table 83 Service points

Name	Type	Zone Name	Description	Publication
Longford Victoria	Receipt	TGP-RZ-01	Receipt point connected to the EGP. Also a backhaul delivery point.	Yes
Longford Victoria	Backhaul delivery point	N/A	Auction quantity limit set as offset of scheduled flows at forward haul receipt point	Yes
TGP Notional Park Point (Receipt)	Receipt	TGP-RZ-02	Notional receipt point used for purchasing auction service to receipt gas parked on TGP for delivery. Also a backhaul receipt point.	Yes

Name	Type	Zone Name	Description	Publication
TGP Notional Park Point (Receipt)	Backhaul receipt point	N/A	Shares auction quantity limit with forward haul receipt point.	Yes
TGP Notional Park Point (Delivery)	Delivery	TGP-DZ-01	Notional delivery point used for purchasing auction service to park gas on TGP. Also a backhaul delivery point.	Yes
TGP Notional Park Point (Delivery)	Backhaul delivery point	N/A	Shares auction quantity limit with forward haul delivery point.	Yes
TasHUB	Delivery	TGP-DZ-02	Used to deliver parked gas from TGP into Victoria. Also known as Longford TGP-Transfer Station. Also a backhaul receipt point.	Yes
TasHUB	Backhaul receipt point	N/A	Auction quantity limit set as offset of scheduled flows at forward haul delivery point	Yes
Port Latta	Delivery	TGP-DZ-05		Yes
Spreyton/Devonport	Delivery	TGP-DZ-04	Gate station	Yes
Ulverstone	Delivery	TGP-DZ-04	Gate station	Yes
Burnie	Delivery	TGP-DZ-04	Gate station	Yes
Wynyard	Delivery	TGP-DZ-04	Gate station	Yes
Westbury	Delivery	TGP-DZ-04		Yes
Westbury 2	Delivery	TGP-DZ-04		Yes
Carrick/Hadspen	Delivery	TGP-DZ-04	Gate station	Yes
Longford Tasmania	Delivery	TGP-DZ-04	Gate station	Yes
Bell Bay GGT	Delivery	TGP-DZ-03	Power station	No
Bell Bay OCGT	Delivery	TGP-DZ-03	Power station	No
Bell Bay CCGT	Delivery	TGP-DZ-03	Power station	No
Ecka	Delivery	TGP-DZ-03	Gate station	Yes

Name	Type	Zone Name	Description	Publication
Comalco	Delivery	TGP-DZ-03		Yes
Bridgewater	Delivery	TGP-DZ-06	Gate station	Yes

Park Service Points

The park service point on the TGP is located near the TasHub. A shipper that wants to use the park service will need to be able to transport to and from the TGP Notional Park Point.

TGP Transfer Service

The only physical receipt point on the TGP is the Longford Victoria service point, which is the connection point with the EGP. To deliver gas onto the TGP at the Longford Victoria receipt point, a shipper requires a TGP transfer service with Jemena on the EGP (this is a service from the Longford receipt point on the EGP to the TGP delivery point – see Chapter 18 for more detail).

Table 84 Zones

Name	Type	Description	CTP Name	Publication
TGP-RZ-01	Receipt	Longford Victoria	LON	Yes
TGP-RZ-02	Receipt	TGP Notional Park Point (Receipt)		Yes
TGP-DZ-01	Delivery	TGP Notional Park Point (Delivery)		Yes
TGP-DZ-02	Delivery	TasHUB		Yes
TGP-DZ-03	Delivery	Bell Bay	BELL	Yes
TGP-DZ-04	Delivery	Mid-section	MIDSCT	Yes
TGP-DZ-05	Delivery	Port Latta		Yes
TGP-DZ-06	Delivery	Bridgewater		Yes

Table 85 Pipeline segments

Name	Type	From Location	To Location	Publication
TGP-FS-01	Forward haul	RZ-01	DZ-01, RZ-02	Yes
TGP-FS-02	Forward haul	RZ-02	DZ-02	Yes
TGP-FS-03	Forward haul	DZ-01, RZ-02	DZ-03	Yes

Name	Type	From Location	To Location	Publication
TGP-FS-04	Forward haul	DZ-03	DZ-04	Yes
TGP-FS-05	Forward haul	DZ-04	DZ-05	Yes
TGP-FS-06	Forward haul	DZ-04	DZ-06	Yes
TGP-BS-01	Backhaul	TasHUB	TGP Notional Point (Delivery)	Yes
TGP-BS-02	Backhaul	TGP Notional Point (Receipt)	Longford Victoria	Yes

Forward haul segment FS-03 represents the capacity to transport gas to Tasmania.

Figure 15 TGP zones and pipeline segments

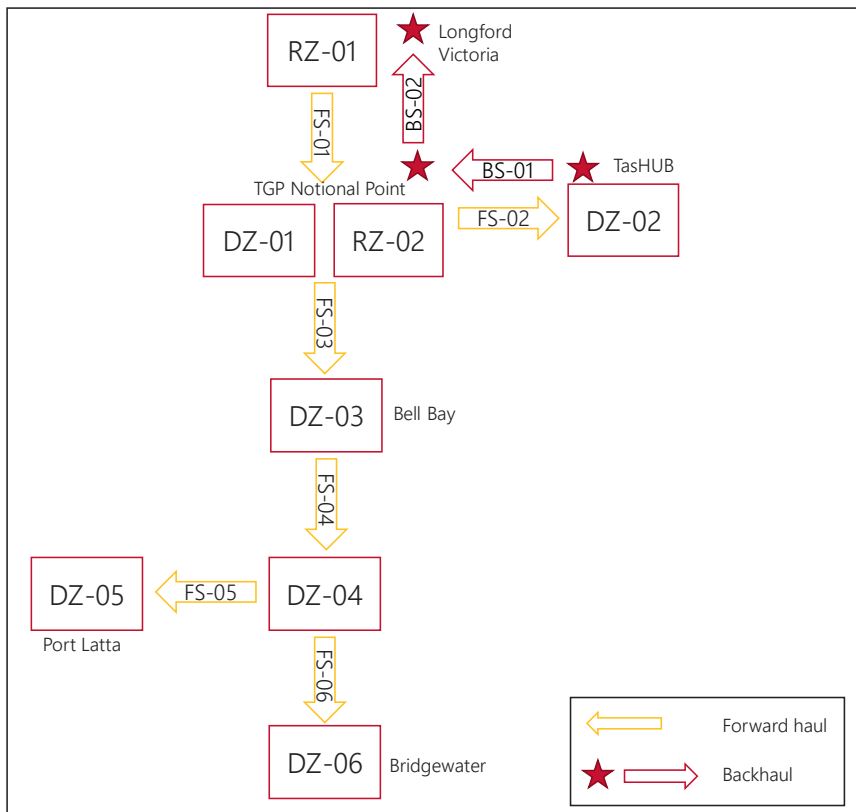


Table 86 Capacity Trading Platform Products

Exchange Name	Type	On-screen	Day-ahead	STTM	DWGM
TGP-LON-BELL	Forward haul		Yes		
TGP-LON-MIDSCT	Forward haul		Yes		
TGP-Park	Park	Yes			

19. Amadeus Gas Pipeline

Table 87 Key facility information

Key information	Detail
Facility name	Amadeus Gas Pipeline (AGP)
Facility operator/owner	APA Group
Location	Northern Territory
Single or bi-directional pipeline	Bi-directional
Services that will be available through the CTP and DAA	Forward haul only
Subject to CTP?	Yes , from 26 June 2019 (120 business days after NGP was commissioned on 3 January 2019)
Subject to DAA?	No – subject to a derogation.

Table 88 Service points

Name	Type	Zone Name	Description
Mereenie	Receipt	AGP-RZ-01	
Palm Valley	Receipt	AGP-RZ-01	
Palm Valley Interconnect	Delivery	AGP-DZ-01	
Tanami Road	Delivery	AGP-DZ-02	
Tennant Creek	Delivery	AGP-DZ-02	
NGP	Delivery	AGP-DZ-02	Connects to NGP
Elliot	Delivery	AGP-DZ-02	
Daly Waters	Delivery	AGP-DZ-03	
Katherine	Delivery	AGP-DZ-03	
Katherine (line pressure)	Delivery	AGP-DZ-03	
Pine Creek	Delivery	AGP-DZ-03	

Name	Type	Zone Name	Description
Bonaparte	Receipt	AGP-RZ-02	
Channel Island Line	Delivery	AGP-DZ-04	
Channel Island HP	Delivery	AGP-DZ-04	
Channel Island LP	Delivery	AGP-DZ-04	
Townend Road	Delivery	AGP-DZ-04	
Darwin City Gate (to DDS)	Delivery	AGP-DZ-04	
Darwin City Gate (to WPP)	Delivery	AGP-DZ-04	
Wickham Point	Receipt	AGP-RZ-03	Connects to the Wickham Point Pipeline (that can deliver gas from the Darwin LNG facility)

Table 89 Zones

Name	Type	Description
AGP-RZ-01	Receipt	Alice Springs
AGP-RZ-02	Receipt	Bonaparte
AGP-RZ-03	Receipt	Darwin
AGP-DZ-01	Delivery	Alice Springs
AGP-DZ-02	Delivery	Tennent Creek
AGP-DZ-03	Delivery	Katherine
AGP-DZ-04	Delivery	Darwin

Table 90 Pipeline segments

Name	Type	From Location	To Location
AGP-FS-01	Forward haul	RZ-01	DZ-02
AGP-FS-02	Forward haul	DZ-02	DZ-01
AGP-FS-03	Forward haul	DZ-02	DZ-03
AGP-FS-04	Forward haul	DZ-03	DZ-02
AGP-FS-05	Forward haul	DZ-03	RZ-02
AGP-FS-06	Forward haul	RZ-02	DZ-03
AGP-FS-07	Forward haul	RZ-02	DZ-04
AGP-FS-08	Forward haul	RZ-03	RZ-02

The forward haul pipeline segments are as follows:

- Bi-directional flow to and from Alice Springs (FS-01, FS-02).
- Bi-directional flow between the Katherine and Tennant Creek delivery zones (FS-03, FS-04).
- Bi-directional flow between the Tennant Creek delivery zone and the Bonaparte receipt zone (FS-05, FS-06).
- Bi-directional flow between the Bonaparte receipt zone and the Darwin receipt and delivery zones (FS-07, FS-08).

Figure 16 AGP zones and pipeline segments

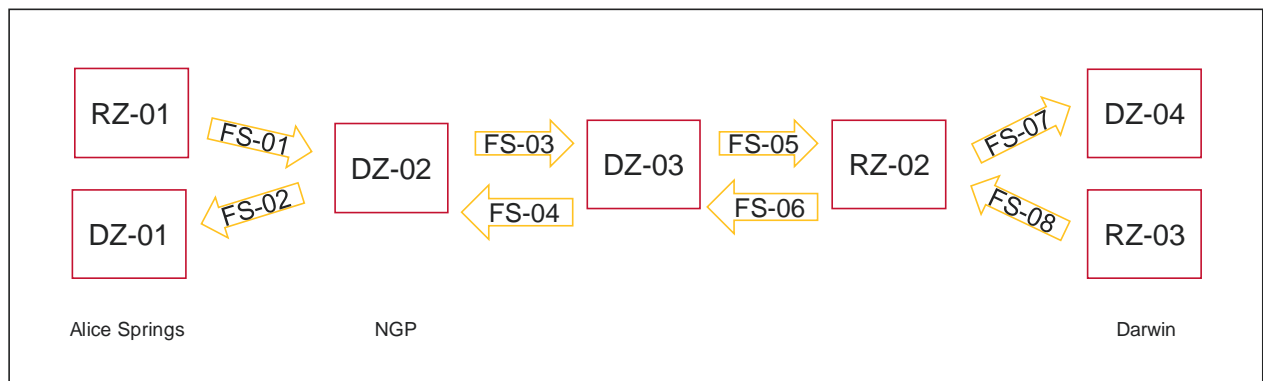


Table 91 Capacity Trading Platform Products

Exchange Name	Type	On-screen	Day-ahead	STTM	DWGM
AGP-DAR-TEN	Forward haul	Yes	Yes		
AGP-ALS-DAR	Forward haul		Yes		

Exchange Name	Type	On-screen	Day-ahead	STTM	DWGM
AGP-ALS-TEN	Forward haul		Yes		
AGP-BON-ALS	Forward haul		Yes		
AGP-BON-DAR	Forward haul		Yes		
AGP-BON-TEN	Forward haul		Yes		
AGP-DAR-ALS	Forward haul		Yes		
NGP-TEN-MTI	Forward haul	Yes	Yes		

20. Northern Gas Pipeline

Table 92 Key facility information

Key information	Detail
Facility name	Northern Gas Pipeline (NGP)
Facility operator/owner	Jemena
Location	Northern Territory – Queensland
Single or bi-directional pipeline	Single
Services that will be available through the CTP and DAA	Forward haul only Jemena has advised that firm park services are not currently available on this pipeline.
Subject to CTP?	Yes, from 26 June 2019 (120 business days after NGP was commissioned on 3 January 2019)
Subject to DAA?	No – subject to a derogation

Table 93 Service points

Name	Type	Zone Name	Description
Tennent Creek	Receipt	NGP-RZ-01	Receipts from the AGP
Mt Isa	Delivery	NGP-DZ-01	Deliveries to the CGP at Mt Isa

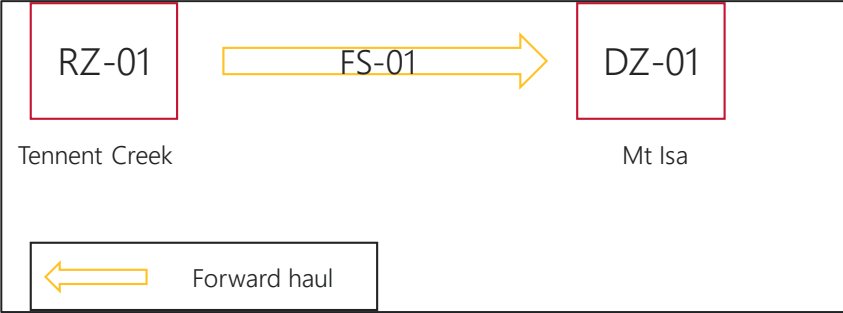
Table 94 Zones

Name	Type	Description
NGP-RZ-01	Receipt	Tennent Creek
NGP-DZ-01	Delivery	Mt Isa

Table 95 Pipeline segments

Name	Type	From Location	To Location
NGP-FS-01	Forward haul	RZ-01	DZ-01

Figure 17 NGP zones and pipeline segment



21. Reedy Creek to Wallumbilla Pipeline

Table 96 Key facility information

<u>Key information</u>	<u>Detail</u>
<u>Facility name</u>	<u>Reedy Creek to Wallumbilla Pipeline (RCWP)</u>
<u>Facility operator/owner</u>	<u>APA Group</u>
<u>Location</u>	<u>Queensland</u>
<u>Single or bi-directional pipeline</u>	<u>Bi-directional</u>
<u>Services that will be available through the CTP and DAA</u>	<u>Forward haul service only</u> <u>APA has advised that firm park services are not currently available on this pipeline.</u>
<u>Subject to CTP?</u>	<u>No</u>
<u>Subject to DAA?</u>	<u>Yes</u>

Table 97 Service points

<u>Name</u>	<u>Type</u>	<u>Zone Name</u>	<u>Description</u>	<u>Publication</u>
<u>APLNG Reedy Creek Entry DS</u>	<u>Receipt</u>	<u>RCWP-RZ-01</u>	<u>Receipts from the APLNG Pipeline at the Reedy Creek Connection Point</u>	<u>Yes</u>
<u>Atlas to Reedy Creek Entry DS</u>	<u>Receipt</u>	<u>RCWP-RZ-01</u>	<u>Receipts from the Senex Atlas Gas Pipeline</u>	<u>Yes</u>
<u>RCWP from SWQP DS</u>	<u>Receipt</u>	<u>RCWP-RZ-02</u>	<u>Receipts from Wallumbilla</u>	<u>Yes</u>
<u>RCWP to SWQP DS</u>	<u>Delivery</u>	<u>RCWP-DZ-01</u>	<u>Delivers to Wallumbilla</u>	<u>Yes</u>

Name	Type	Zone Name	Description	Publication
Reedy Creek Exit DS	Delivery	RCWP-DZ-02	Delivers to APLNG pipeline at the Reedy Creek Connection Point	Yes

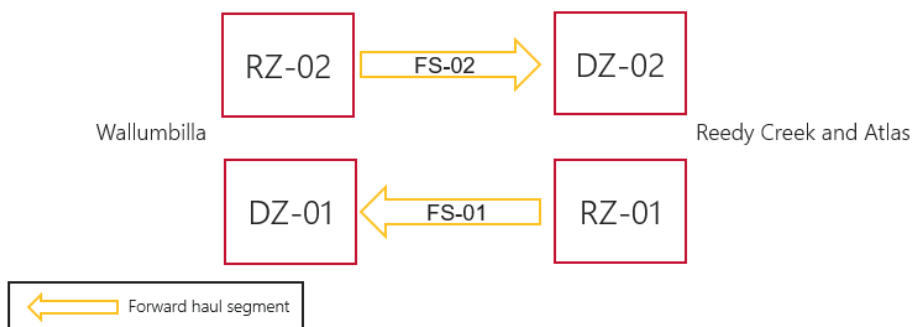
Table 98 Zones

Name	Type	Description	CTP Name	Publication
RCWP-RZ-01	Receipt	APLNG or Atlas Gas pipeline receipts	RCA	Yes
RCWP-RZ-02	Receipt	Wallumbilla receipt	WAL	Yes
RCWP-DZ-01	Delivery	Wallumbilla delivery	WAL	Yes
RCWP-DZ-02	Delivery	APLNG delivery	RCA	Yes

Table 99 Pipeline segments

Name	Type	From Location	To Location	Publication
RCWP-FS-01	Forward	RZ-01	DZ-01	Yes
RCWP-FS-02	Forward	RZ-02	DZ-02	Yes

Figure 18 RCWP zones and pipeline segment



Part B: Compression Facilities

21.22. Wallumbilla

Compression Facility A

~~Table 96~~ **Table 100** Key facility information

Key information	Detail
Facility name	Wallumbilla Compression Facility A (WCFA)
Facility operator/owner	APA Group
Location	Queensland
Services that will be available through the CTP and DAA	Compression services
What the compression services are used for	<p>Compression services on WCFA are used to transport gas from Wallumbilla on SWQP, BWP, QGP, RCWP or RBP.</p> <p>Gas may be receipted from SWQP, BWP, DDP, QGP, SGP, RBP or RCWP.</p>
Subject to CTP?	Yes
Subject to DAA?	Yes
Other notes	APA Group proposes that the gas specification for this facility is the Australian standard gas specification, which will be specified in its standard OTSA for this facility.

CTP

APA advised AEMO that shippers that hold firm compression rights linked to the Australian standard gas specification will have the ability to trade those rights using the WCFA compressions product (i.e. shippers rights will not be split across WCFA and WCFB).

DAA

APA has also advised AEMO that when determining auction quantity limits for WCFA it will consider contracted capacity and nominations against contracts linked to Australian standard gas specification.

~~Table 97~~ **Table 101** Service points

Name	Type	Zone Name	Description	Publication
Wallumbilla LP Trade Point	Compression Receipt	WCFA-CRZ-01	Notional point	Yes
Wallumbilla HP Trade Point	Compression Delivery	WCFA-CDZ-01	Notional point	Yes

Notional Points

APA Group has registered the following notional points for the WCFA compression service points:

- The Wallumbilla LP Trade Point, which will be the compression receipt point for compression services traded through the CTP and DAA.
- The Wallumbilla HP Trade Point, which will be the compression delivery point for compression services traded through the CTP and DAA.

For the purpose of determining the auction quantity limits for the compression receipt point, the Wallumbilla LP Trade Point will reflect the CBU capacity for the physical receipt points specified in the table below.

~~Table 98~~ **Table 102** Wallumbilla LP Trade Point physical points

Name	Type	Facility	Description	Publication
BWP	Receipt	SWQP	SWQP from BWP (Wallumbilla) Delivery Stream	Yes
Darling Downs Pipeline	Receipt	SWQP	SWQP Darling Downs West Pipeline Delivery Stream	Yes
QGP Entry	Receipt	SWQP	SWQP QGP Entry Delivery Stream	Yes
RBP Entry	Receipt	SWQP	SWQP RBP Entry Delivery Stream	Yes
Spring Gully	Receipt	SWQP	SWQP Spring Gully Delivery Stream	Yes
RCWP	Receipt	SWQP	SWQP from RCWP (Wallumbilla) Entry Delivery Stream	Yes

For the purpose of determining the auction quantity limits for the compression delivery point, the Wallumbilla HP Trade Point will reflect the CBU capacity for the physical delivery points specified in the table below.

Table 99~~Table 103~~ **Wallumbilla HP Trade Point physical points**

Name	Type	Facility	Description	Publication
BWP Exit	Delivery	SWQP	SWQP to BWP (Wallumbilla) Delivery Stream	Yes
QGP Exit	Delivery	SWQP	SWQP QGP Exit Delivery Stream	Yes
RBP Exit	Delivery	SWQP	SWQP RBP Exit Delivery Stream	Yes
RCWP	Delivery	SWQP	SWQP to RCWP (Wallumbilla) Exit Delivery Stream	Yes
CRWP WCS2	Delivery	SWQP	SWQP CRWP WCS2 Delivery Stream	Yes

Table 100~~Table 104~~ **Zones**

Name	Type	Description	Publication
WCFA-CRZ-01	Compression Receipt	Wallumbilla A Receipt	Yes
WCFA-CDZ-01	Compression Delivery	Wallumbilla A Delivery	Yes

Table 101~~Table 105~~ **Compression facility service**

Name	Type	From Location	To Location	Publication
WCFA-CFS-01	Compression Facility Service	CRZ-01	CDZ-01	Yes

Table 102~~Table 106~~ **Capacity Trading Platform Products**

Exchange Name	Type	On-screen	Day-ahead	STTM	DWGM
WCFA	Compression	Yes	Yes		

~~22.23.~~ Wallumbilla Compression Facility B

~~Table 103~~ **Table 107** Key facility information

Key information	Detail
Facility name	Wallumbilla Compression Facility B (WCFB)
Facility operator/owner	APA Group
Location	Queensland
Services that will be available through the CTP and DAA	Compression services
What the compression services are used for	Compression services on WCFB are used to transport gas away from Wallumbilla on CRWP or on SWQP, BWP, QGP, RCWP, RBP (via the Wallumbilla HP Trade Point).
Subject to CTP?	Yes
Subject to DAA?	Yes
Other notes	APA Group proposes that the gas specification for this facility will be based on a restricted gas specification, which will be specified in its standard OTSA for this facility. To use this compression facility, users will therefore have to comply with this gas specification.

CTP

APA advised AEMO that shippers that hold firm compression service rights with a restricted gas specification will have the ability to trade those rights using the WCFB compression product.

Auction Quantity Limits

When determining auction quantity limits for WCFB, APA will consider contracted capacity and nominations against contracts with a restricted gas specification.

Auction Participation

To purchase an auction service on WCFB a shipper will be required to have a GTA or OTSA for WCFB. APA has proposed that contracts will contain:

- A restricted gas specification as a facility specific term.
- A service that shippers may use to meet the restricted gas specification.
- A service that shippers may use to transfer gas from WCFB to another facility (like SWQP) via the Wallumbilla HP Trade Point.

Table 104 ~~Table 108~~ **Service points**

Name	Type	Zone Name	Description
Wallumbilla LP Trade Point	Compression Receipt	WCFB-CRZ-01	Notional point
Wallumbilla HP Trade Point	Compression Delivery	WCFB-CDZ-01	Notional point

Notional Points

APA Group has registered the following notional points for the WCFB compression service points:

- The Wallumbilla LP Trade Point, which will be the compression receipt point for compression services traded through the CTP and DAA.
- The Wallumbilla HP Trade Point, which will be the compression delivery point for compression services traded through the CTP and DAA.

For the purpose of determining the auction quantity limits for the compression receipt point, the Wallumbilla LP Trade Point will reflect the CBU capacity for the physical receipt points specified in the table below.

Table 105 ~~Table 109~~ **Wallumbilla LP Trade Point physical points**

Name	Type	Description	Publication
BWP	Receipt	SWQP from BWP (Wallumbilla) Delivery Stream	Yes
Darling Downs Pipeline	Receipt	SWQP Darling Downs West Pipeline Delivery Stream	Yes
QGP Entry	Receipt	SWQP QGP Entry Delivery Stream	Yes
RBP Entry	Receipt	SWQP RBP Entry Delivery Stream	Yes
Spring Gully	Receipt	SWQP Spring Gully Delivery Stream	Yes
RCWP	Receipt	SWQP from RCWP (Wallumbilla) Entry Delivery Stream	Yes
GLNG Lean Gas Delivery Stream Receipt	Receipt		Yes

For the purpose of determining the auction quantity limits for the compression delivery point, the Wallumbilla HP Trade Point will reflect the CBU capacity for the physical delivery points specified in the table below.

~~Table 106~~ **Table 110** Wallumbilla HP Trade Point physical points

Name	Type	Description	Publication
BWP Exit	Delivery	SWQP to BWP (Wallumbilla) Delivery Stream	Yes
QGP Exit	Delivery	SWQP QGP Exit Delivery Stream	Yes
RBP Exit	Delivery	SWQP RBP Exit Delivery Stream	Yes
RCWP	Delivery	SWQP to RCWP (Wallumbilla) Exit Delivery Stream	Yes
CRWP WCS2	Delivery	SWQP CRWP WCS2 Delivery Stream	Yes
CRWP WCS3	Delivery	SWQP CRWP WCS3 Delivery Stream	Yes

~~Table 107~~ **Table 111** Zones

Name	Type	Description	Publication
WCFB-CRZ-01	Compression Receipt	Wallumbilla B Receipt	Yes
WCFB-CDZ-01	Compression Delivery	Wallumbilla B Delivery	Yes

~~Table 108~~ **Table 112** Compression facility service

Name	Type	From Location	To Location	Publication
WCFB-CFS-01	Compression Facility Service	CRZ-01	CDZ-01	Yes

~~Table 109~~ **Table 113** Capacity Trading Platform Products

Exchange Name	Type	On-screen	Day-ahead	STTM	DWGM
WCFB	Compression	Yes	Yes		

23.24. Ballera Compression Facility

Table 114 Key facility information

Key information	Detail
Facility name	Ballera Compression Facility
Facility operator/owner	Santos Ltd
Location	Queensland
Services that will be available through the CTP and DAA	Compression services
What the compression services are used for	Used to compress gas delivered from the SWQP for northern haul transportation on the CGP
Subject to CTP?	Yes
Subject to DAA?	Yes

The Ballera Compression facility is owned and operated by Santos and is used to compress gas delivered from the SWQP onto the CGP. AEMO understand that APA has contracted compression capacity on this facility and on-sells it to shippers with whom it has contracts for transportation on the CGP. Under this arrangement APA nominates to Santos on behalf of these shippers. The arrangements for products associated with the Ballera compression facility are outlined below.

Market	Product	Facility Operator	Description
CTP	Stand-alone compression	Santos	<p>Seller: Has a direct contract for compression with Santos which it wishes to sell.</p> <p>Buyer: May already have a stand-alone CGP transportation service with APA, or may combine with the purchase of a stand-alone CGP transportation service. Must have arrangement in place with Santos.</p>
CTP	Stand-alone CGP transportation	APA	As per CGP section.
CTP	Bundled compression and CGP transportation	APA	Seller: Has a contract with APA for a bundled service of Ballera compression and CGP transportation.

Market	Product	Facility Operator	Description
			Buyer: Wishes to purchase both Ballera compression and CGP transportation, and their OTSA with APA facilitates this purchase.
DAA	Compression service	Santos	<p>Santos will be responsible for providing the auction service as the facility operator of the compressor, and will receive proceeds from the auction.</p> <p>CBU capacity on the compression facility calculated by Santos, including all nominations from shippers with direct contracts and nominations from APA.</p> <p>To use the auctioned compression service, a shipper would need to have an OTSA in place with Santos.</p>

Table 111~~Table 115~~ **Service points**

Name	Type	Zone Name	Description	Publication
Ballera inlet point	Compression Receipt	BCF-CRZ-01	Point of interconnection of the SWQP and the inlet to the Ballera Compression Facilities	Yes
Ballera outlet point	Compression Delivery	BCF-CDZ-01	Outlet from the Ballera Compression Facilities into the CGP	Yes

Table 112~~Table 116~~ **Zones**

Name	Type	Description	Publication
BCF-CRZ-01	Compression Receipt	Ballera Receipt	Yes
BCF-CDZ-01	Compression Delivery	Ballera Delivery	Yes

Table 113~~Table 117~~ **Compression facility service**

Name	Type	From Location	To Location	Publication
BCF-CFS-01	Compression Facility Service	CRZ-01	CDZ-01	Yes

Table 118 Capacity Trading Platform Products

Exchange Name	Type	On-screen	Day-ahead	STTM	DWGM
BCF	Compression	Yes	Yes		

24.25. Moomba

Compression Facility

~~Table 115~~ **Table 119** Key facility information

Key information	Detail
Facility name	Moomba Compression Facility (MCF)
Facility operator/owner	APA Group
Location	South Australia
Services that will be available through the CTP and DAA	Compression services
What the compression services are used for	Eastern haul services from Moomba onto the SWQP.
Subject to CTP?	Yes
Subject to DAA?	Yes

~~Table 116~~ **Table 120** Service points

Name	Type	Zone Name	Description	Publication
Moomba Trade Point	Compression Receipt	MCF-CRZ-01	Notional point	Yes
Moomba HP Trade Point	Compression Delivery	MCF-CDZ-01	Connects to SWQP	Yes

Notional Receipt Point

APA Group has registered the Moomba Trade Point as the compression receipt point for compression services traded through the CTP and DAA. For the purpose of determining the auction quantity limits for this compression receipt point, the Moomba Trade Point will reflect the CBU capacity for the locations specified in the table below.

~~Table 117~~ **Table 121** **Moomba Trade Point physical points**

Name	Type	Facility	Description	Publication
MSP Exit	Delivery	SWQP	SWQP MSP Entry Delivery Stream	NA
MCF Moomba	Receipt	SWQP	MCF Moomba (Santos) Entry	NA
MCF from SWQP Entry	Receipt	SWQP		NA
MAPS Exit	Delivery	SWQP	MAPS Exit Delivery Stream	NA

~~Table 118~~ **Table 122** **Moomba HP Trade Point physical points**

Name	Type	Facility	Description	Publication
MCF Exit	Delivery	SWQP	Exit from MCF to SWQP	NA

~~Table 119~~ **Table 123** **Zones**

Name	Type	Description	Publication
MCF-CRZ-01	Compression Receipt	Moomba Receipt	Yes
MCF-CDZ-01	Compression Delivery	Moomba Delivery	Yes

~~Table 120~~ **Table 124** **Compression facility service**

Name	Type	From Location	To Location	Publication
MCF-CFS-01	Compression Facility Service	CRZ-01	CDZ-01	Yes

~~Table 121~~ **Table 125** **Capacity Trading Platform Products**

Exchange Name	Type	On-screen	Day-ahead	STTM	DWGM
MCF	Compression	Yes	Yes		

25.26. Iona Compression Facility

Table 122 **Table 126** Key facility information

Key information	Detail
Facility name	Iona Compression Facility (ICF)
Facility operator/owner	Lochard Energy
Location	Victoria
What the compression services are used for	Used to compress gas delivered from the SWP or Iona storage into the PCA and vice versa
Services that will be available through the CTP and DAA	Compression
Subject to CTP?	Yes
Subject to DAA?	Yes

Table 123 **Table 127** Service points

Name	Type	Zone Name	Description	Publication
Mortlake Withdrawal	Compression Receipt	ICF-CRZ-01		Yes
Otway Withdrawal	Compression Receipt	ICF-CRZ-01		Yes
SEA Gas Withdrawal	Compression Receipt	ICF-CRZ-01		Yes
SWP Withdrawal	Compression Receipt	ICF-CRZ-01		Yes
Mortlake Injection - D	Compression Delivery	ICF-CDZ-01		Yes
Otway Injection - D	Compression Delivery	ICF-CDZ-01		Yes
SEA Gas Injection	Compression Delivery	ICF-CDZ-01		Yes
SWP Injection	Compression Delivery	ICF-CDZ-01		Yes

~~Table 124~~ **Table 128** Zones

Name	Type	Description	Publication
ICF-CRZ-01	Compression Receipt	Iona Receipt	Yes
ICF-CDZ-01	Compression Delivery	Iona Delivery	Yes

~~Table 125~~ **Table 129** Compression facility service

Name	Type	From Location	To Location	Publication
ICF-CFS-01	Compression Facility Service	CRZ-01	CDZ-01	Yes

~~Table 126~~ **Table 130** Capacity Trading Platform Products

Exchange Name	Type	On-screen	Day-ahead	STTM	DWGM
ICF	Compression	Yes	Yes		Yes

A1. Interpretation Guidance

Each of the facility-specific chapters have been structured in the same way, with the beginning of each chapter containing a table that summarises the key facility information. A replica table is provided below, with explanatory notes for how to interpret this information

~~Table 127~~ **Table 131** Replica of Key facility information

Key information	Detail
Facility name	Facility name
Facility operator/owner	Facility operator who has registered the facility
Location	Description of the location of the facility
Single or bi-directional pipeline	Specifies whether a pipeline is single or bi-directional. A pipeline may have single and bi-directional pipeline segments.
Services that will be available through the CTP and DAA	<p>Summary of the services available on the facility for each platform:</p> <ul style="list-style-type: none"> • Forward haul services will be available on all pipeline facilities subject to the CTP and DAA. • Compression services will be available on all compression facilities subject to the CTP and DAA. • Those pipelines that offer park services to primary shippers will have park services available for trading through the CTP. <p>Single direction pipelines (or parts of pipelines) where it is feasible to offer and provide backhaul services and where there is likely to be a reasonable level of demand for these services, will have backhaul services available on the DAA.</p>
Subject to CTP?	Self-explanatory
Subject to DAA?	Self-explanatory

The rest of each chapter then contains the service points, zones and, where relevant, pipeline segments or compression facility service for each facility. This information is set out in a series of tables, which reflect how the registered service points, and the zones and pipeline segments or compression facility services that have been determined appear in the TSPR. Where relevant, additional information is provided in the text of each chapter to explain the specification of service points (including any backhaul points), zones and pipeline segments.

Each table also provides information regarding whether or not AEMO will publish the auction quantity limits associated with the service point, zone and pipeline segments. Rule 657(3) allows the Capacity Transfer and

Auction Procedures (CTAP) to provide for access to information published by AEMO in relation to the capacity auction to be restricted, where necessary to protect against directly or indirectly disclosing a nomination in respect of a market generating unit, refer to Clause 24.2 of the CTAP.

Table 128 **Table 132** **Replica of service points table**

Name	Type	Zone Name	Description	Publication
The name of the service point as provided in registration	Some points may have multiple types. Options: <ul style="list-style-type: none"> • Receipt • Delivery • Backhaul receipt point • Backhaul delivery point • Compressor receipt • Compressor delivery 	Zone in which the point is allocated. Note, backhaul points are not allocated to a zone.	Description will be used to call out attributes of the service point such as: <ul style="list-style-type: none"> • Where the point is also a backhaul point. • Where the point is also a park service point. • How the auction quantity limit will be applied to the backhaul point. 	Whether or not the auction quantity limit for the point will be published as per CTAP clause 24.2 (see above).

Table 129 **Table 133** **Replica of zones table**

Name	Type	Description	CTP Name	Publication
The name of the zone.	Type of zone. Options: <ul style="list-style-type: none"> • Receipt • Delivery • Compressor receipt • Compressor delivery 	Description of zone where applicable.	Code used to describe zone on exchange – usually an acronym or abbreviation determined from the description. There may be more than one code for a zone on the CTP if the zone includes STTM interface points.	Whether or not the auction quantity limit for the zone will be published as per CTAP clause 24.2 (see above).

Table 130 **Table 134** **Replica of pipeline segments table**

Name	Type	From Location	To Location	Publication
The name of the segment	Type of segment. Options: <ul style="list-style-type: none"> • Forward haul • Backhaul 	If the segment is forward haul, this will be a zone/s on that facility. If the segment is backhaul, this will be a backhaul point/s on that facility.	If the segment is forward haul, this will be a zone/s on that facility. If the segment is backhaul, this will be a backhaul point/s on that facility.	Whether or not the auction quantity limit for the segment will be published as per CTAP clause 24.2 (see above).

Name	Type	From Location	To Location	Publication
	<ul style="list-style-type: none"> • Compression Facility Service 	If this is a compression facility service, this will be the compression receipt zone.	If this is a compression facility service, this will be the compression delivery zone.	

Note that a pipeline segment may have multiple From Locations and To Locations specified in the table which allows the flow to those locations to share a common auction quantity limit.

In those cases where a pipeline has more than one pipeline segment, a schematic is also included to show how the zones and pipeline segments fit together. An example schematic is in the example chapter in Appendix 2.

Table 135 ~~Table 131~~ **Table 135** **Replica of Capacity Trading Platform Products table**

Exchange Name	Type	On-screen	Day-ahead	STTM	DWGM
Name of the product on the exchange. For forward haul products, this will be in the form 'facility acronym – receipt CTP zone letter code – delivery zone CTP zone letter code'. The CTP zone letter codes can be related back to each zone via the zones table.	Forward haul, compression or park.	Whether or not the product is available for exchange-based trading on-screen. All products will be available for pre-matched trading.	Whether or not there is a day-ahead product available on screen. All products will have daily, weekly and monthly tenors available.	Whether or not the product is integrated with the STTM.	Whether or not the product includes points that are DWGM interface points.

A2. Example Pipeline

This appendix provides an example of how the pipeline facility chapters have been structured and how the information contained in these chapters would be used in the CTP and DAA. The pipeline used in this appendix is referred to as Example Pipeline (EP).

Table 132 **Table 136** **Key facility information**

Key information	Detail
Facility name	Example Pipeline (EP)
Facility operator/owner	Example Operator
Location	Queensland
Single or bi-directional pipeline	Single and bi-directional
Services that will be available through the CTP and DAA	Forward Haul, Park (CTP only), Backhaul (DAA only)
Subject to CTP?	Yes
Subject to DAA?	Yes

Table 133 **Table 137** **Service points**

Name	Type	Zone Name	Description	Publication
XYZ Receipt	Receipt	EP-RZ-01		Yes
West Receipts	Receipt	EP-RZ-01		Yes
West Delivery	Delivery	EP-DZ-01	Power Station	No
Inner west point	Receipt	EP-RZ-02		Yes
IPT	Receipt	EP-RZ-03	Park service point	Yes
IPT	Delivery	EP-DZ-02	Park service point, also a backhaul delivery point	Yes
Apple Delivery	Delivery	EP-DZ-03	Delivery point that is also a backhaul receipt point	Yes

Name	Type	Zone Name	Description	Publication
Apple Delivery	Backhaul receipt	N/A		Yes
East Deliveries	Delivery	EP-DZ-03	Gate station	Yes

Table 134 **Table 138** **Zones**

Name	Type	Description	CTP Name	Publication
EP-RZ-01	Receipt	Receipts at the west end of the pipeline	WES	Yes
EP-RZ-02	Receipt	Receipts at the inner west end of the pipeline	WES2	Yes
EP-RZ-03	Receipt	Receipts midline	MID	Yes
EP-DZ-01	Delivery	Deliveries at the west end of pipeline for the power station	WES	No
EP-DZ-02	Delivery	Deliveries midline	MID	Yes
EP-DZ-03	Delivery	Deliveries at the east end of pipeline	EAS	Yes

Table 135 **Table 139** **Pipeline segments**

Name	Type	From Location	To Location	Publication
FS-01	Forward haul	RZ-01	RZ-02	Yes
FS-02	Forward haul	RZ-02	DZ-01	Yes
FS-03	Forward haul	RZ-02	DZ-02, RZ-03	Yes
FS-04	Forward haul	RZ-03	RZ-02	Yes
FS-05	Forward haul	RZ-03	DZ-03	Yes
BS-01	Backhaul	Apple Delivery	IPT	Yes

Figure 18 ~~Figure 19~~ **Example pipeline zones and pipeline segments**

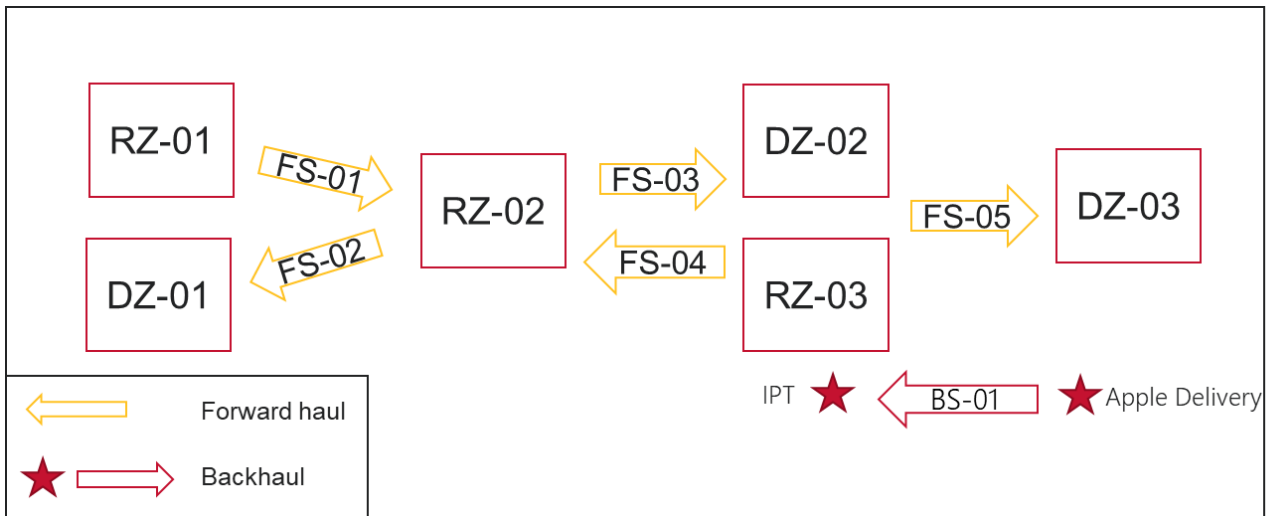


Table 136 ~~Table 140~~ **Capacity Trading Platform Products**

Exchange Name	Type	On-screen	Day-ahead	STTM	DWGM
EP-WES-EAS	Forward haul	Yes	Yes		
EP-WES-MID	Forward haul		Yes		
EP-WES2-EAS	Forward haul		Yes		
EP-WES2-MID	Forward haul		Yes		
EP-EAS-MID	Forward haul		Yes		
EP-EAS-WES	Forward haul	Yes	Yes		
EP-Park	Park	Yes			