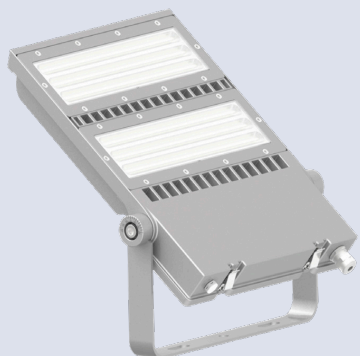


# LED ROADWAY LIGHTING

## GE Area Lighter



NEW



The GE Area Lighter is a compact floodlight with a range of lumen packages and mounting configurations to best optimize area light applications, as well as providing versatility in lighting design within the same form-factor. Suitable for sporting arenas such as tennis/netball/basketball courts, car parks, security lighting, pedestrian crossing lighting with Full 'smart' compatibility with integral 7-pin NEMA socket and DALI dimmable driver.

INTEGRATED  
**SMART**  
TECHNOLOGY

### Applications

- Area lighting
- Pedestrian crossings

### Electrical

- 75-240W
- IP66 rated fitting
- System efficiency 140 Lm/w
- 20kV/10kA integral Surge Protection Device.

### Controls

- DALI dimmable
- 7-pin NEMA socket (Shorting Cap supplied)
- Smart enabled/remotely controllable

### LED & Optical Performance

- Asymmetrical and Symmetrical light distribution
- Lumen Output range 10500 -33600lm
- CCT 4000K @ 70 CRI
- Optional diffused lenses providing effective glare control

### Mounting

- Standard and long trunnion arm option available allowing 360-degree rotation of luminaire

### Finish

- Corrosion resistant polyester powder paint
- Standard colours: grey
- Custom colours available on request

### Housing

- Weight 4.58kg - 6.7kg
- Die cast aluminum housing, optional LM6 available
- IK10 impact rated
- Lightweight and sleek industrial design with a robust construction

**LIGHT  
SOURCE  
SOLUTIONS**



Distributor  
GE Lighting

Light Source Solutions Roadway

Ph 1300 497 221 | Fax 1300 425 456 [www.lightsourcesolutions.com.au](http://www.lightsourcesolutions.com.au)

Get in touch via email [Roadwaysales@lightsourcesolutions.com.au](mailto:Roadwaysales@lightsourcesolutions.com.au)

GE is a trademark of General Electric Company and is under license by Light Source Solutions and Light Source Solutions New Zealand Ltd.

# LED ROADWAY LIGHTING

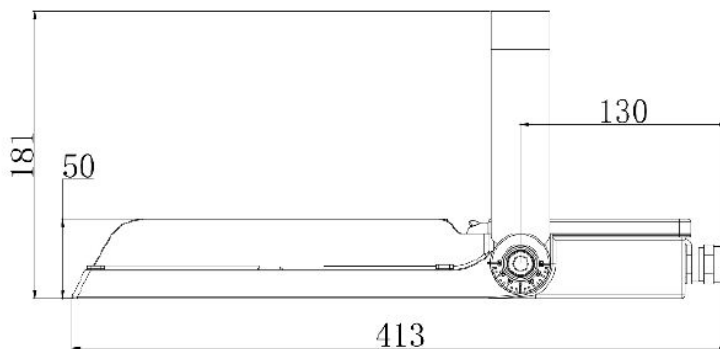
## GE Area Lighter



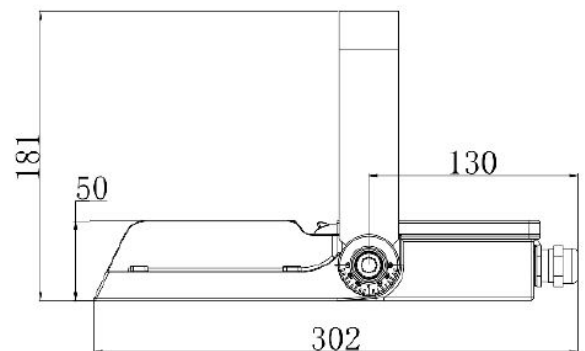
### Fixture dimensions (mm)

Models	L (mm)	H (mm)	D (mm)
75W / 100W / 150W	302	373	50
200W / 240W	413	373	50

### Double Module (200W to 240W)



### Single Module (70W - 150W)



Product ID	Beam Angle	CCT	Wattage	Light Beam	LPW	Finish Colour	Socket Base	Dimming
ALU = LED Area Lighter	AS = Asymmetrical S = Symmetrical	N = 4000K CR = 5700K	75 = 75W 100 = 100W 150 = 150W 200 = 200W 240 = 240W	ANB - Asym. Narrow Beam AWB - Asym. Wide Beam SNB = Sym. Narrow Beam SWB = Sym. Wide Beam	H = 140lm/w	SG = RAL9007	0 = None 1 = Nema	A = Analogue D1 = Dali 1.0 D2 = Dali 2.0