

# ALDRIDGE

## BOSTON V



Traditional shape lanterns for older suburban streets, urban areas and streetscapes

The lantern reflector design eliminates unwanted upward light, providing higher lumination at ground level

### APPLICATIONS

- 'V' Cat. Roads
- Intersections
- Large Carparks
- Pedestrian Malls

### Features

- Designed to meet stringent Australian Standards
- Self cleaning housing and PMMA optical diffuser
- High Performance LED & Optics to meet AS/NZ1158
- Integrated thermal management
- Hinged 'quick access latch'
- Complies with AS/NZ 1158.6 & AS/NZ 1158.1
- 10 year warranty

### Options

- **Photocell:** 7-pin Nema receptacle (7PN)
- **Fuse Terminal Block:** (FTB)
- **Surge Protection Device:** (SPD - 10KVA, 20KVA)
- **Class II:** (DB - Double Insulated)
- **Colour:** Green (GR), White (WH), Black (BL-Standard)
- **CCT:** 3000K, 4000K (Standard), 5000K
- **Visor:** Glareshield/spill light kit (GV)

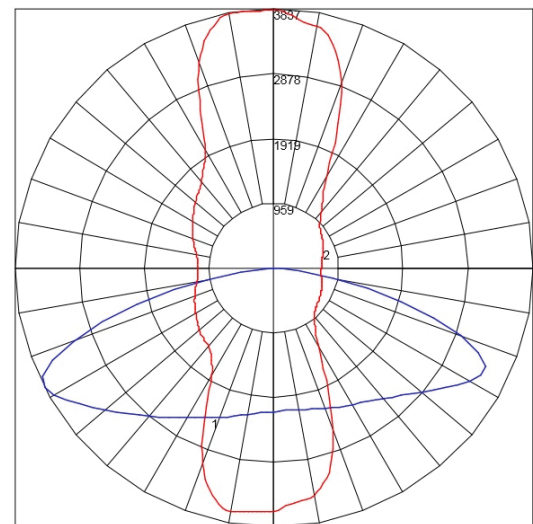


### Technical Data

- **Body:** High Pressure Die Cast Aluminum
- **Optics:** V Distribution
- **LED #:** 162
- **Wattage:** 75 Watts
- **Finishing:** Powder Coat Black (Black Standard)
- **Mounting:** 6 - 10 Metres
- **Fixing:** Top Spigot Mount (76mm OD)
- **IP rating:** IP65 - IP44
- **IK rating:** IK10
- **Voltage:** 220V - 240V 50/60Hz
- **Power Factor:** >0.9

### Photometric Design Data

IES ROAD REPORT  
 PHOTOMETRIC FILENAME : LSPT-210123.IES  
 POLAR GRAPH



Maximum Candela = 3837.46 Located At Horizontal Angle = 99, Vertical Angle = 62.5  
 # 1 - Vertical Plane Through Horizontal Angles (99 - 279) (Through Max. Cd.)  
 # 2 - Horizontal Cone Through Vertical Angle (62.5) (Through Max. Cd.)

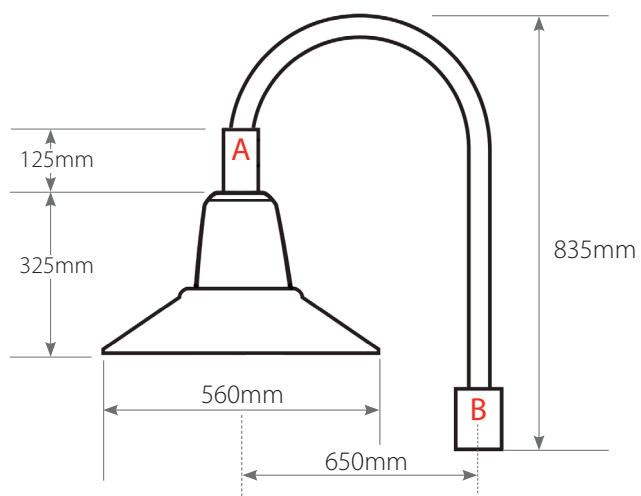
### Specification BOSTON V

PRODUCT CODE	BV75WT	BV75WS
Description	Top Entry	Side Entry
System Watts	75	75
Input Voltage	220V - 240V 50/60Hz	220V - 240V 50/60Hz
CCT (K)	4000	4000
CRI	Ra>75	Ra>75
IP Protection	IP65 - IP44	IP65 - IP44
IK Protection	IK06	IK06
Weight (Kg)-max.	10kg	10kg

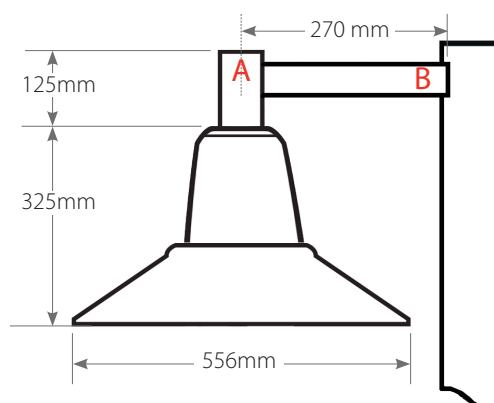
Dimensions



Top Entry



Side Entry



From the Brand You Know and Trust for Over 40 Years



# ALDRIDGE

## Aldridge Traffic Systems Pty Ltd

12 - 14 Leeds Street  
Rhodes NSW 2138

[www.aldridgetraffic.com.au](http://www.aldridgetraffic.com.au)

### NSW

P: +61 2 9736 3677  
F: +61 2 9736 3391  
e: [info@traffictld.com.au](mailto:info@traffictld.com.au)

### VIC

P: +61 3 9430 0222  
F: +61 3 9430 0244  
e: [info@traffictld.com.au](mailto:info@traffictld.com.au)

### SA

P: +61 8 8362 2385  
e: [info@traffictld.com.au](mailto:info@traffictld.com.au)

### NT

P: +61 8 8947 0733  
F: +61 8 8947 0713  
e: [info@traffictld.com.au](mailto:info@traffictld.com.au)

### ACT

P: +61 2 6299 7922  
F: +61 2 6299 7977  
e: [info@traffictld.com.au](mailto:info@traffictld.com.au)

### WA

P: +61 8 9248 1002  
F: +61 8 9209 2288  
e: [info@traffictld.com.au](mailto:info@traffictld.com.au)

### QLD

P: +61 7 3266 1900  
F: +61 7 3266 2244  
e: [info@traffictld.com.au](mailto:info@traffictld.com.au)

### TAS

P: +61 3 6273 1177  
F: +61 3 6273 1759  
e: [info@traffictld.com.au](mailto:info@traffictld.com.au)

### UNITED KINGDOM

P: +44 (0) 1159 223 797  
F: +44 (0) 1159 223 836  
e: [info@aldridgetraffic.co.uk](mailto:info@aldridgetraffic.co.uk)