



STREETLED MK III

CATEGORY P LED LUMINAIRE

Engineered and crafted in Australia, the StreetLED MKIII is a performance luminaire designed specifically to meet Australian/New Zealand minor road lighting requirements.

The optical chamber is sealed to IP66 ingress protection and the self-cleaning visor minimises light loss due to dirt accumulation, reducing maintenance and resulting in a highly energy efficient luminaire.

Perfect for one for one replacement for legacy fittings including 70W HPS, 80W MV, 32/42W CFL, 2 x 14W T5, 2 x 24W T5

PERFORMANCE SUMMARY

- High performance roadway luminaire
- Designed specifically to meet Australian/New Zealand road lighting standards, complying with both AS/NZS 60598.2.3 & AS/NZS TS 1158.6
- The optics and LED light source are optimised to provide maximum spacings for compliance with AS1158-1.1 Category P
- Optical chamber sealed to IP66 ingress protection
- IK06
- Self-cleaning visor minimises light loss due to dirt accumulation, resulting in a highly energy efficient and low maintenance luminaire
- CRI 70
- Ambient temperature 40° C
- 20 year design life
- Available in Colour Temperature of 4000K standard, 3000K optional
- Options:
 - Polyester powdercoat finish in various RAL and DULUX colours
 - NEMA PE base
 - Visor options - Aeroscreen and standard
 - Anti-Glare visors and Louvers



5° Tilt Adjustment Adapter for Spigots. Ensures that correct tilt can be achieved if the original pole outreach angle is incorrect. Factory fitted. Can in some instances be site fitted.



STREETLED MK III (cont.)

SPECIFICATIONS

Electrical Characteristics:

- Input Voltage: 220V-240V – 50Hz/60Hz
- Power Factor: 0.9
- System watts: 13W – 25W

Optical Characteristics:

- CCT: Available in 4000K, 3000K optional
- CRI 70
- Lumen Maintenance: L95 @ 88000 hours
- Optical chamber independently sealed to IP66
- Standard and Aeroscreen visors available

Mechanical Characteristics:

- Pressure die cast aluminium body
- Weight: 4.5 kg
- Stainless steel fasteners, latches and clips
- Easy to replace hinged driver compartment access cover
- Grey polyester powdercoat finish as standard (other colours available on request)
- 27-42mm O.D. spigot entry
- IK06
- Easy to replace visor

Control Characteristics:

- DALI or 1-10V Control dimming.
- NEMA – 7pin*

Environmental & Standards:

- Ambient Operation Temps: to 40° C
- EMC compliant: AS/NZS CISPR15, EN/IEC 61000-3-2, EN/IEC 61000-3-3 Immunity EN61547. Complies to Technical Spec SA/SNZ TS 1158.6 –Luminaires Performance

Options

- Class I/II (Double Insulated)
- CCT: 3000K available
- Polyester Powder-coated finish in various Dulux and RAL Colours
- Visor options – Standard, Aeroscreen, Anti-Glare Visors
- Louvers
- Fused terminal block

SMART CITY SOLUTIONS*

- LOWPAN6, ZIGBEE, LORAWAN, NBIOT technologies
- Devices & sensors for smart city applications
- Customised platform integration

PHOTOMETRICS

Please contact your Sylvania representative for photometric information specific to your project.

ORDER CODES

Product Code	Name	Dimensions(mm) L x W x D	Mass (kg)	Beam Distribution	System Power (W)	Colour Temperature	Electrical Rating	Visor Type	Dimming Technology	PE Cell Base Type	PE Cell Type (if ind.)
JLC99Z05L14	STREETLED III 13.7W 4K PESN7	417 x 292 x 152	4.5	Type 3	13.7	4000	Class I	Standard	1-10Vdc	NEMA 7 pin	ShoringCap*
JLC99Z15L14	STREETLED III 13.7W 4K PESN7CO	417 x 292 x 100	4.5	Type 3	13.7	4000	Class I	Aeroscreen	1-10Vdc	NEMA 7 pin	ShoringCap*
Tilt Aduster Accessory											
JLC00010	Tilt Adaptor -5°										

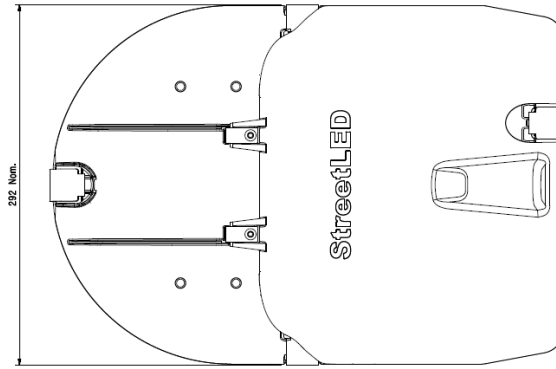
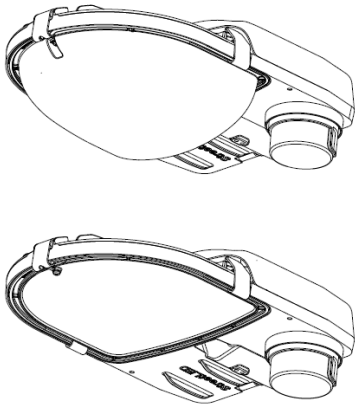
The above codes are for standard offering only. For additional options or product configurations, please consult your Sylvania consultant.

* Supplied as standard

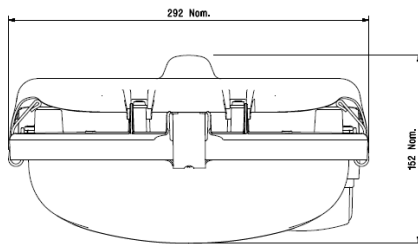
N.B. All dimensions in mm

STREETLED MK III (cont.)

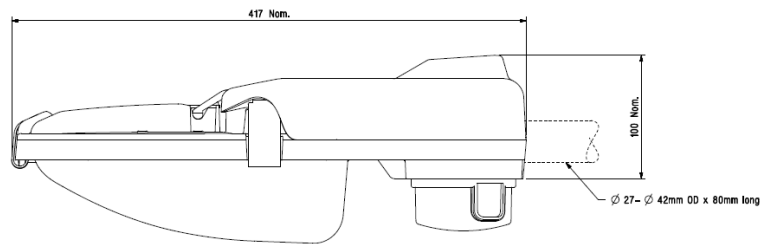
LINE DRAWINGS



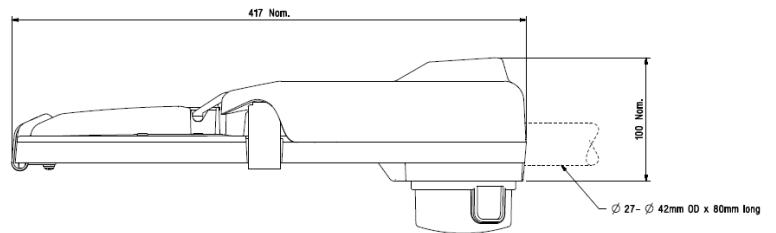
Top View



Front View



Side View with Standard Visor



Side View with Aeroscreen Visor

