

---

# Total Transmission Cost Estimate for the Maximum Reserve Capacity Price for 2014/15

---



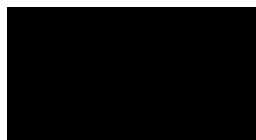
28 November 2011

© 2011 Western Power

ABN 18540492861

Prepared and Approved by:

Neil Gibbney



<b>1</b>	<b>Introduction .....</b>	<b>3</b>
<b>2</b>	<b>MRCP Procedure.....</b>	<b>4</b>
2.1	Methodology.....	4
2.2	Western Powers' Contributions Policy and NFIT.....	4
2.3	Shallow Connection Costs.....	5
2.3.1	Substation .....	5
2.3.2	Overhead Line to Power Station.....	6
2.3.3	Easement for Overhead Line.....	7
2.3.4	Total Shallow Connection Cost.....	7
<b>3</b>	<b>Total Transmission Costs.....</b>	<b>8</b>
3.1	Total Transmission Costs .....	8
3.2	Escalation Factor for Network Infrastructure .....	8
3.3	Audit Report .....	8
<b>Appendix A.</b>	<b>Audit Report .....</b>	<b>9</b>

# 1 Introduction

---

This document provides the calculation of the Total Transmission Costs (TTC) in accordance with section 2.4 of the IMO Market Procedure: Maximum Reserve Capacity Price Version 5 for 2014/15.

The IMO Market Procedure for the determination of the Maximum Reserve Capacity Price (MRCP) has been revised since last year, and the method to determine the applicable transmission costs is now significantly different from previous years.

Previously, Western Power was required to provide detailed forward looking estimates, including the deep connection costs at each of the six nominated sites, to connect a 160 MW OCGT to the SWIS. However, the new revised Market Procedure requires Western Power to use actual capital contributions from users to calculate a single estimate of Total Transmission Costs.

Western Power expects the new procedure will introduce a decrease in the Total Transmission Cost component of the MRCP. However, Western Power must reiterate that any future capital contributions for new connections must be assessed on an individual basis under the Capital Contributions Policy as approved by the ERA and in no way relate to the transmission component of the MRCP.

It should be noted that Western Power is obligated under relevant legislation to treat commercially sensitive customer information on a confidential basis. Individual customer capital contributions which are now required to be used to calculate the TTC can not be publically disclosed by Western Power. The IMO has requested Western Power use the spreadsheet they provide which has been verified by the IMOs' auditor to implement the requirements of the new procedure. Western Power has collated customer capital contributions and included them in the spreadsheet provided by the IMO to calculate an average Total Transmission Cost per MW.

The new procedure also requires that Western Power appoint a suitable auditor to review the application of the process in step 2.4.1.

## 2 MRCP Procedure

---

### 2.1 Methodology

In accordance with the new procedure, Western Power must provide an estimate of the TTC using the methodology specified.

In summary, the estimated TTC is largely based on a weighted average over 5 years of the capital contributions (either paid historically or expected to be paid to Western Power under Access Offers and Western Power's Contribution Policy as approved by the ERA) only for generators that are capable of being gas or liquid fuelled.

The calculation must exclude any facility where:

- the significant driver for the location of the facility is the access to source energy (fuel or renewable) or the need to embed the generation with a load (electrical or heat); or
- the facility is connected on a shared distribution feeder; or
- the capital contribution does not relate to a significant increase in the Declared Sent Out Capacity associated with the facility.

Where no capital contributions have been paid in a particular year an estimate of shallow transmission connection costs only for the works required to connect a relevant generator to the shared transmission is used.

Western Power must estimate the shallow transmission connection costs for the works required to connect a relevant generator to the shared transmission network in accordance with section 2.4.2 of the procedure.

The estimate of shallow connection costs is also used to determine the basis of escalation of network infrastructure costs where relevant, and it is calculated as an average change over 5 years in the estimates calculated consistent with section 2.4.2.

For more details of methodology, please see the new revised procedure on the IMO web site.

[http://www.imowa.com.au/f711,1679263/PC\\_2011\\_06\\_Market\\_Procedure\\_for\\_Maximum\\_Reserve\\_Capacity\\_Price\\_FINAL\\_clean.pdf](http://www.imowa.com.au/f711,1679263/PC_2011_06_Market_Procedure_for_Maximum_Reserve_Capacity_Price_FINAL_clean.pdf)

### 2.2 Western Powers' Contributions Policy and NFIT

Actual transmission connection costs are governed by the Access Code 2004, the New Facilities Investment Test (NFIT), and Western Powers' Access Arrangement, and Contributions Policy approved by the ERA.

In accordance with section 5.2 of Western Powers' contributions policy, a contribution payable by a customer for any works is calculated by:

- determining the appropriate portion of any of the *forecast costs* of the *works* which do not meet the *new facilities investment test*,
- adding any applicable costs related to ensuring *technical rules* compliance for the network,
- adding the full *costs* of any *works* to provide *connection assets*, and the full amount of any *non-capital costs* that Western Power incurs acting efficiently in accordance with *good electricity industry practice*,

- acting as a *reasonable and prudent person*, Western Power may determine that the costs be allocated to the applicant and other users based on the relative use of the *works (in accordance with section 5.4)*,
- deducting the amount likely to be recovered in the form of *new revenue* gained from providing *covered services* to the *applicant*, as calculated over the reasonable time, at the *contributions rate of return*.

Western Power believes that recent connections have been somewhat opportunistic and the capital contributions have been consequently low (relatively speaking).

These lower costs are now required to be included in the MRCP calculation. Western Power expects the new procedure will consequently result in a decrease in the transmission cost component of the MRCP. However, it should be noted that future capital contributions which may be required from users in no way relate to the transmission component of the MRCP. A capital contribution required from any new user will be assessed individually and depend on the amount of network investment that may or may not pass the New Facilities Investment Test which may ultimately be determined by the ERA.

## 2.3 Shallow Connection Costs

For the purposes outlined in step 2.4.1 of the market procedure, Western Power must also estimate the shallow transmission connection costs for the works required to connect a relevant generator to the shared transmission network.

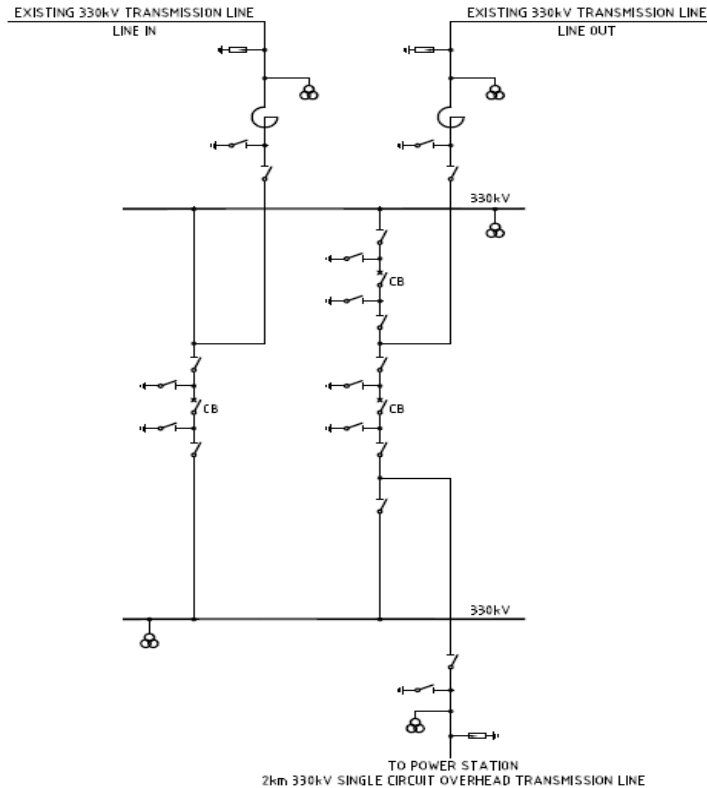
In summary, estimates in accordance with section 2.4.2 of the procedure are required for the costs for the following:

- a substation,
- 2 km of overhead line to the power station, and
- an overhead line easement.

Each of these cost components are discussed below.

### 2.3.1 Substation

In accordance with the Market Procedure the Transmission Connection Cost Estimate should include the cost of a generic three breaker mesh substation configured in a breaker and a half arrangement. The connection of the substation into the transmission line should be turn-in, turn-out and will be based on the most economical (i.e. least cost) solution. The typical three-switch mesh 330 kV substation configuration which has been used recently in the SWIS has been assumed as shown in the single line diagram below.



The table below lists the estimated costs of a typical new substation. It should be noted that the estimate does not include the cost of the land nor does it take into account any site specific details.

**Total Substation Cost**

Description	Cost
330kV Breaker & Half, 3xCircuit Breakers, 3xGantry, 2xCircuits	\$ 5,179,174
Site Works - Terminal Station 1 Yard (3 Bays)	\$3,599,292
Terminal Relay Room	\$2,646,018
<b>TOTAL</b>	<b>\$11,424,484</b>

**2.3.2 Overhead Line to Power Station**

In accordance with the MRCP Procedure the Transmission Connection Cost Estimate should include the cost for 2 km of 330 kV overhead single circuit line to the power station that will have one road crossing. It shall be assumed that the transmission connection to the Power Station will be located on 50% flat - 50% undulating land, 50% rural - 50% urban location and there will be no unforeseen environmental or civil costs associated with the development.

The table below shows the estimated costs of the 2km transmission line connection.

**Connection Transmission Line Costs**

Description	Cost
Connection Assets (Two kilometres of single circuit steel towers to connect the generator)	\$8,357,318

**2.3.3 Easement for Overhead Line**

In accordance with the MRCP Procedure, the cost of an easement for the 2km overhead line has been provided by the IMO in accordance with section 2.4.2(h) of the new procedure and is \$5.339M.

**2.3.4 Total Shallow Connection Cost**

The Total Shallow connection costs calculated in accordance with section 2.4.2 of the procedure is \$25,120,802.

**Total Transmission Connection Cost Estimate**

Description	Cost
Substation	\$11,424,484
Transmission line	\$8,357,318
Line easement	\$5.339,000
<b>TOTAL</b>	<b>\$25,120,802</b>

## **3 Total Transmission Costs**

---

Western Power is required to provide an estimate of the Total Transmission Costs in accordance with section 2.4 of the IMO Market Procedure: Maximum Reserve Capacity Price Version 5. In accordance with the procedure, Western Power has sought agreement with the IMO regarding which generators should be included in the calculation of the TTC, and has collated all relevant information including confidential capital contribution data and estimates of shallow connection costs for the current and previous years. The TTC has been calculated in accordance with the specified methodology which is summarised in section 2.1 of this report.

### **3.1 Total Transmission Costs**

The Total Transmission Costs calculated in accordance the Market Procedure is \$109,821 / MW.

### **3.2 Escalation Factor for Network Infrastructure**

The escalation factor for network infrastructure calculated in accordance with section 2.4.1(d) of the Market Procedure is 4.90%.

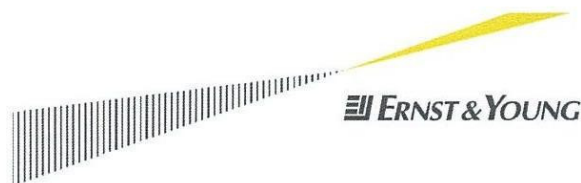
### **3.3 Audit Report**

The new procedure requires that Western Power appoint a suitable auditor to review the application of the process in step 2.4.1, and the auditor's report is attached in Appendix A.



# Appendix A. Audit Report

---



Ernst & Young Building  
11 Mounts Bay Road  
Perth WA 6000 Australia  
GPO Box M939 Perth WA 6843  
Tel: +61 8 9429 2222  
Fax: +61 8 9429 2436  
www.ey.com/au

## Independent Assurance Practitioner's Review Report

To the Directors of Electricity Networks Corporation

### Report on the Total Transmission Cost Estimate for the Maximum Reserve Capacity Price for 2014/15

We have reviewed the process adopted by Electricity Networks Corporation ("Western Power") to estimate the Total Connection Costs for the Maximum Reserve Capacity Price for 2014/15 as required by the Independent Market Operator's Market Procedure: Maximum Reserve Capacity Price Version 5.

#### Respective Responsibilities

Management of Western Power are responsible for the preparation of the Total Connection Costs for the Maximum Reserve Capacity Price for 2014/15 in accordance with the requirements of the Independent Market Operator's Market Procedure: Maximum Reserve Capacity Price Version 5.

Our responsibility is to express a conclusion on the process adopted by Western Power in determining the Total Connection Costs for the Maximum Reserve Capacity Price for 2014/15 as required by the Independent Market Operator's Market Procedure: Maximum Reserve Capacity Price Version 5. Our review has been conducted in accordance with Auditing Standard ASAE 3000 *Assurance Engagements other than Audits or Reviews of Historical Financial Information*, to provide limited assurance that Western Power has followed the process to determine the Total Connection Costs for the Maximum Reserve Capacity Price for 2014/15 as required by the Independent Market Operator's Market Procedure: Maximum Reserve Capacity Price Version 5. Our procedures consisted of making enquiries of persons responsible for the preparation of the Total Connection Costs for the Maximum Reserve Capacity Price for 2014/15 Report and applying analytical and other review procedures. These procedures have been undertaken to form a conclusion that nothing has come to our attention that causes us to believe that Western Power has not, in all material respects, undertaken a process to determine the Total Connection Costs for the Maximum Reserve Capacity Price for 2014/15 as required by the Independent Market Operator's Market Procedure: Maximum Reserve Capacity Price Version 5.

#### Use of Report

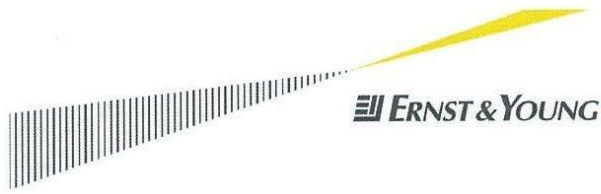
This review report was prepared for Western Power in accordance with the Independent Market Operator's Market Procedure: Maximum Reserve Capacity Price Version 5. We disclaim any assumption of responsibility for any reliance on this report to any persons or users other than Western Power, or for any purpose other than that for which it was prepared.

#### Inherent Limitations

Because of the inherent limitations of any process, it is possible that fraud, error or non compliance with a process may occur and not be detected. A review is not designed to detect all instances of non compliance with the requirements of the Independent Market Operator's Market Procedure: Maximum Reserve Capacity Price Version 5 as it generally comprises of making enquiries of persons responsible for the preparation of the Total Connection Costs for the Maximum Reserve Capacity Price for 2014/15 Report and applying analytical and other review procedures. The review conclusion expressed in this report has been formed on the above basis.

RK:SS:WP:090

Liability limited by a scheme approved under Professional Standards Legislation



**Independence**

In conducting our review, we have complied with the independence requirements of Australian professional accounting bodies.

**Conclusion**

Based on our review, which is not an audit, nothing has come to our attention that causes us to believe that Electricity Networks Corporation has not, in all material respects, adopted a process to estimate the Total Connection Costs for the Maximum Reserve Capacity Price for 2014/15 that is in accordance with the Independent Market Operator's Market Procedure: Maximum Reserve Capacity Price Version 5.

Ernst & Young

R A Kirkby  
Partner  
Perth

2 December 2011

RK:SS:WP:090