



ROADLED MIDI

CATEGORY V LED LUMINAIRE

The RoadLED Midi is a state-of-the-art road lighting luminaire that has been specifically designed in Australia for Australian/New Zealand major road lighting applications.

The luminaire has been specifically engineered to comply with Australian Standards (Category V) allowing it to replace traditional high wattage HID luminaires that are used to illuminate major vehicular roads throughout ANZ. Complies with AS/NZS1158.

The standard powdercoat colour finish is RAL 9006. The control gear is integral 240V with long life ensured from the finned array at the rear of the unit which allows for excellent heat dissipation thus extending componentry life.



PERFORMANCE SUMMARY

- High performance Roadway luminaire
- Designed specifically to meet Australian/New Zealand road lighting standards, complying with AS/NZS CISPR15, SA/SNZ TS 1158.6 and AS/NZS 60598.1
- The optics and LED light source are optimised to provide maximum spacings for compliance with AS1158-1.1 Category V
- IP66 ingress protection (optical chamber)
- CRI > 70
- Colour Temp: 4000K (Standard)
- Design life of 20 years
- Side entry mount
- Limited warranty*
- Surge protection device (SPD) standard
- Aeroscreen (CO) and Standard (self-cleaning) visors available
- Smart City Ready



5° Tilt Adjustment Adapter for Spigots. Ensures that correct tilt can be achieved if the original pole outreach angle is incorrect. Factory fitted. Can in some instances be site fitted. See your Roadway & Infrastructure Sales Representative for advice.

* See Gerard Lighting standard terms & conditions

Where innovation comes to light



ROADLED MIDI (cont.)

SPECIFICATIONS

Electrical Characteristics:

- Input Voltage: 240V – 50Hz
- Power Factor: 0.9
- System watts: 60W-150W
- Class I
- Surge Protection Device (SPD) standard

Optical Characteristics:

- CCT: Available in 4000K
- CRI: > 70
- 20 years design life
- One for one replacement for traditional HID source luminaires (depending on wattage)

Mechanical Characteristics:

- Pressure die cast aluminium body
- Weight: 8.7-9.2kg
- Acrylic Aero screen (CO) and Standard (self-cleaning) visor available
- Stainless steel fasteners, latches and clips
- Easy to replace visor
- 43mm to 48mm Spigot entry
- Hinged access cover with quick release clips
- RAL 9006 finish as standard
- IP66
- IK06
- 20 years design life

Control Characteristics:

- 1-10V Control
- NEMA 7
- Smart City ready

Environmental & Standards:

- Ambient Operation Temps: -10 to 40°C
- EMC compliant: AS/NZS CISPR15, AS/NZS 60598.1 & AS/NZS TS 1158.6: Luminaires - Performance

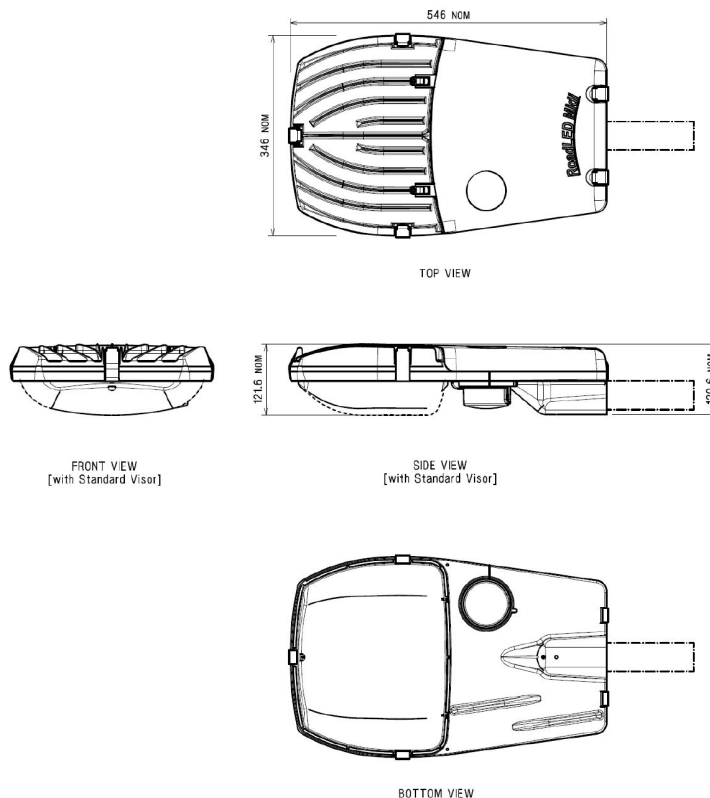
Options: (MOQ and additional leadtime applies)

- Push in terminal block
- Fused terminal block
- Class II version
- CCT 3000K optional
- Tamper proof Cockatoo Clip covers available as an accessory
- Light-spill louvre
- DALI

SMART CITY SOLUTIONS

- LOWPAN6, ZIGBEE, LORAWAN, NBIOT technologies
- Devices & sensors for smart city applications
- Customised platform integration

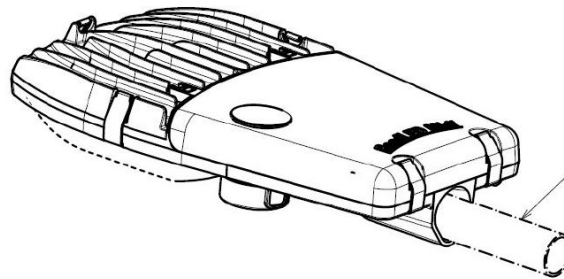
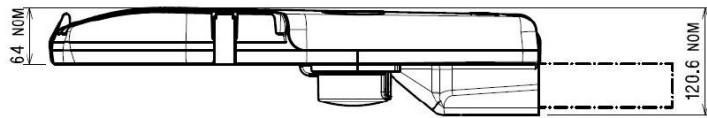
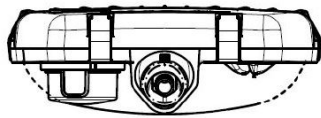
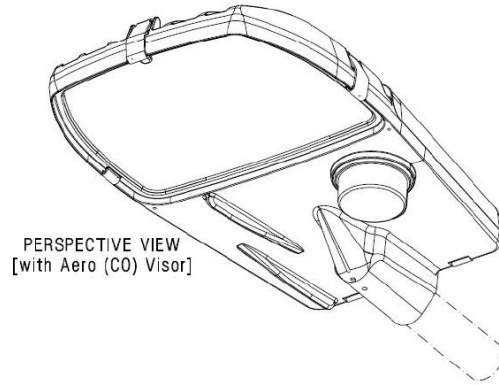
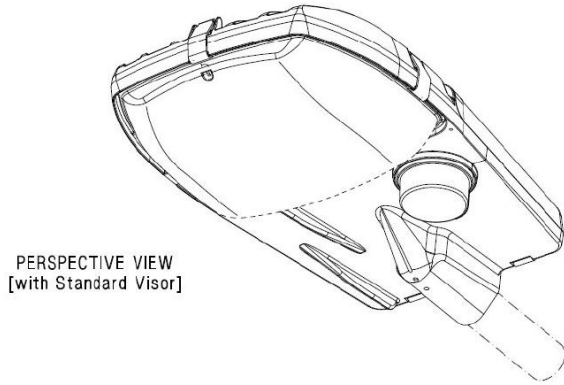
LINE DRAWINGS



Where innovation comes to light



ROADLED MIDI (cont.)



PHOTOMETRICS

Please contact your Roadway & Infrastructure Lighting representative for photometric information specific to your project.

Where innovation comes to light



ROADLED MIDI (cont.)

ORDER CODES

Product Code	Name	Dimensions (mm) W x H x D	Mass (kg)	Beam Distribution	System Power (W)	Colour Temperature	Electrical Rating	Installation Type	Dimming Technology	PE Cell Base Type	PE Cell Type (if incl.)
Standard Visor											
PM99Z05L60	RL MIDI 60W4K 1N1B PES7 9006	346 x 121 x 546	8.70	Type 2/3M	60	4000K	Class I	Side Entry	1-10Vdc	NEMA 7 pin	Shorting Cap*
PM99Z05L70	RL MIDI 70W4K 2N1B PES7 9006	346 x 121 x 546	8.70	Type 2/3M	70	4000K	Class I	Side Entry	1-10Vdc	NEMA 7 pin	Shorting Cap*
PM99Z05L80	RL MIDI 80W4K 2N1B PES7 9006	346 x 121 x 546	8.70	Type 2/3M	80	4000K	Class I	Side Entry	1-10Vdc	NEMA 7 pin	Shorting Cap*
PM99Z05L100	RL MIDI 100W4K 2N1B PES7 9006	346 x 121 x 546	9.20	Type 2/3M	100	4000K	Class I	Side Entry	1-10Vdc	NEMA 7 pin	Shorting Cap*
PM99Z05L120	RL MIDI 120W4K 2N1B PES7 9006	346 x 121 x 546	9.20	Type 2/3M	120	4000K	Class I	Side Entry	1-10Vdc	NEMA 7 pin	Shorting Cap*
PM99Z05L150	RL MIDI 150W4K 2N1B PES7 9006	346 x 121 x 546	9.20	Type 2/3M	150	4000K	Class I	Side Entry	1-10Vdc	NEMA 7 pin	Shorting Cap*
Cut Off Visor											
PM99Z15L60	RL MIDI 60W4K 1N1B PES7 CO 9006	346 x 64 x 546	8.70	Type 2/3M	60	4000K	Class I	Side Entry	1-10Vdc	NEMA 7 pin	Shorting Cap*
PM99Z15L70	RL MIDI 70W4K 2N1B PES7 CO 9006	346 x 64 x 546	8.70	Type 2/3M	70	4000K	Class I	Side Entry	1-10Vdc	NEMA 7 pin	Shorting Cap*
PM99Z15L80	RL MIDI 80W4K 2N1B PES7 CO 9006	346 x 64 x 546	8.70	Type 2/3M	80	4000K	Class I	Side Entry	1-10Vdc	NEMA 7 pin	Shorting Cap*
PM99Z15L100	RL MIDI 100W4K 2N1B PES7 CO 9006	346 x 64 x 546	9.20	Type 2/3M	100	4000K	Class I	Side Entry	1-10Vdc	NEMA 7 pin	Shorting Cap*
PM99Z15L120	RL MIDI 120W4K 2N1B PES7 CO 9006	346 x 64 x 546	9.20	Type 2/3M	120	4000K	Class I	Side Entry	1-10Vdc	NEMA 7 pin	Shorting Cap*
PM99Z15L150	RL MIDI 150W4K 2N1B PES7 CO 9006	346 x 64 x 546	9.20	Type 2/3M	150	4000K	Class I	Side Entry	1-10Vdc	NEMA 7 pin	Shorting Cap*

ACCESSORIES

Spigot Tilt Adjuster

08-14-007-071 5° Tilt Spigot Adjuster**

The above codes are for standard offering only. For additional options or product configurations, please consult your Roadway & Infrastructure consultant.

* Supplied as standard

** 5° Tilt Spigot Adjuster is factory fitted in most instances. Please consult your Roadway & Infrastructure consultant.



PUB DATE: DS_23042018

Where innovation comes to light