

Evolve P4P5

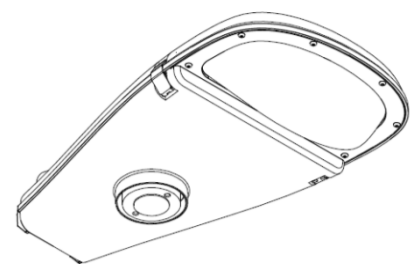
LED Residential Lighting where you need it



GE's latest LED roadway fixture is a stylish, energy efficient, residential roadway lighting solution. Featuring a unique lens technology, the Evolve P4P5 fixture provides a wider reach that meets P4 & P5 category standards as well as delivering better cut off to ensure lighting is distributed exactly where you need it.

Applications:

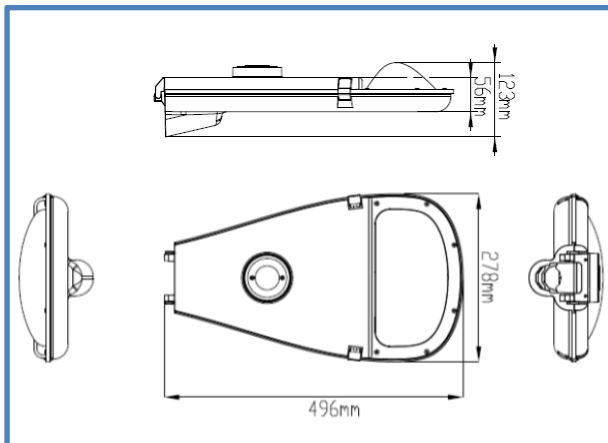
- Residential Roadway (P4 and P5 Category)



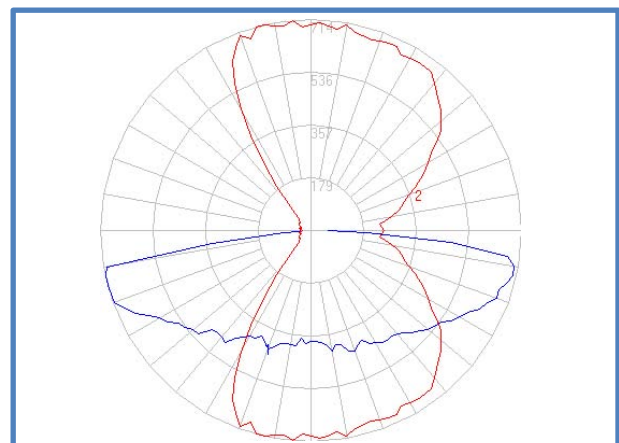
Specifications

- Stylish slim design with a self-cleaning visor
- Utilises unique lens technology to deliver required light distribution
- Energy efficient – 20W, 25W or 30W rated power
- Utilises high brightness LED's to deliver over 100 lumens per Watt
- Complies with AS/NZS TS 1158.6-2015, AS/NZS 60598.2.2-2016 & AS/NZS 60598.2.3-2015
- Toolless entry
- Adjustable mounting angles +/- 5 degrees
- 7 pin NEMA socket
- High colour rendering - 70CRI
- Long lifetime > 60,000 hours @ L70
- IP66 rated optical chamber and IP65 rated dimmable driver
- Robust die-cast Aluminium housing
- Corrosion resistant polyester powder coat finish
- Meets ANSI 2G vibrations standard
- PF >0.9

Dimensions (mm)



Photometric Data



Ordering Logic

LIGHT ENGINE ORDERING LOGIC							
<u>ERR</u>	<u>2</u>	<u>P</u>	<u>40</u>	<u>C1</u>	<u>L</u>	<u>SG</u>	<u>A</u>
PRODUCT ID	Voltage	DISTRIBUTION	LED CCT	Lumen Output	Fixture Light Type	FINISHING COLOR	Option
XXX	X	X	XX	XX	X	XX	X
ERR = LED Roadway Residential	2 = 220V-240V (50-60Hz)	P = P4/P5	40 = 4000K 50 = 5000K	C0= 2000lm C1= 2500lm C2= 3000lm	L = Lens	SG = Silver Gray BK = Black	A = led flat B = led rotate



Any update of data in this leaflet will not be informed.
Please contact GE Lighting for detailed information.

www.gelighting.com.au