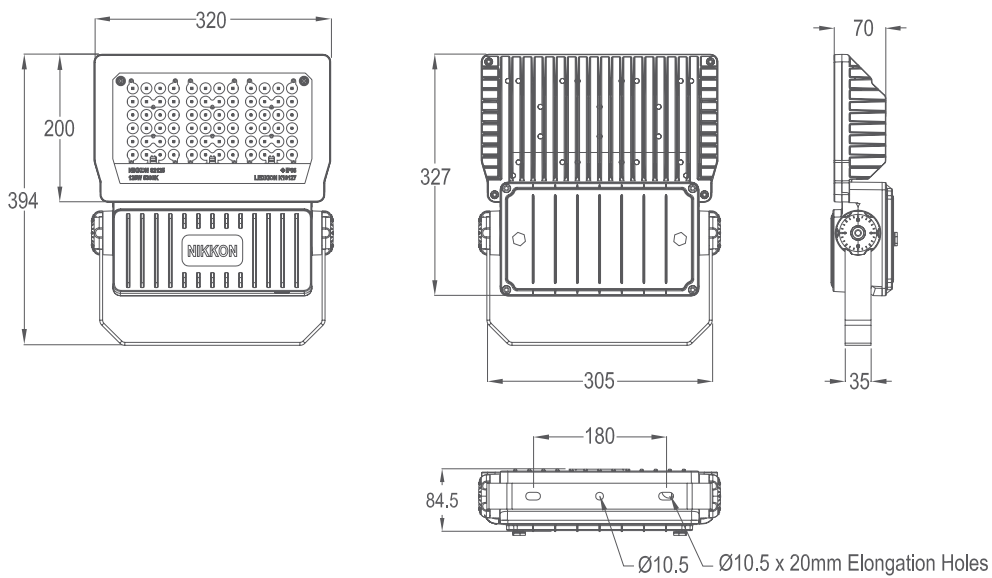


LEDXION S2125 SERIES 100W & 125W LED FLOODLIGHT

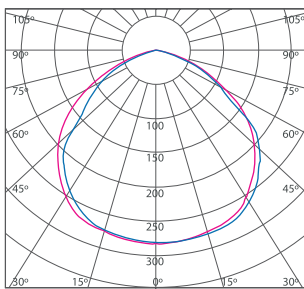


DIMENSION



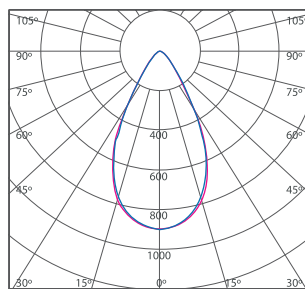
PHOTOMETRIC

100° Wide Beam Angle (WB)



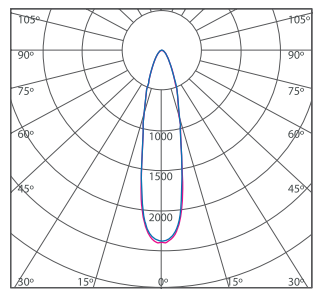
cd/m²
C0/C180: — C90/C270: —

51° Medium Beam Angle (MB)



cd/m²
C0/C180: — C90/C270: —

19° Narrow Beam Angle (NB19)



cd/m²
C0/C180: — C90/C270: —

LED TECHNICAL DATA

Typical Luminous Flux & Efficiency @ 700 mA:

- 280 lm

Max Junction Temperature:

- 150°C

Color Temperature:

- 5300K Daylight
- * 3000K Warmwhite is available upon request

LED Life Cycle:

- 50,000 hrs

COMPLIANCE STANDARD

LED:

- LM 80

Driver:

- CE, EN55015, EN61000, EN61547

ORDER CODE

- LEDXION K10127 S2125 100W LED Floodlight
- LEDXION K10127 S2125 125W LED Floodlight

* Please indicate LED color temperature when ordering.

CARTON DIMENSION

- 417(L) mm x 350(W) mm x 120(H) mm

LUMINAIRE TECHNICAL DATA

LED Light Source:

- 3 LED Modules x 16 LUMILEDS LUXEON Rebel ES (100W)
- 3 LED Modules x 20 LUMILEDS LUXEON Rebel ES (125W)

Aiming Angle Indication:

- Ease installation with aiming angle indication mechanism

Membrane:

- IP66 membrane that equalize the pressure within the gear compartment in fast changing environmental conditions

Housing Material:

- Die-cast aluminium finished with durable polyester epoxy powder coating (Akzo Nobel RAL 9006)

Operating Temperature:

- -30°C ~ +45°C

Power Supply:

- 220 ~ 240 Vac 50 / 60Hz
- Constant Current : 700mA
- Dimmable : 1-10V, PWM
- * Time Control is available upon request

Surge Protection:

- External SPD 10kV, 20kA

Max System Power Consumption:

- 103W
- 138W

Total Luminous Flux:

- 13440 lm - 100W
- 16800 lm - 125W

Insulation Classification:

- Class I

Ingress Protection:

- IP66 (Lamp & Gear Compartments)

Nett Weight:

- 6.2 kg

APPLICATION

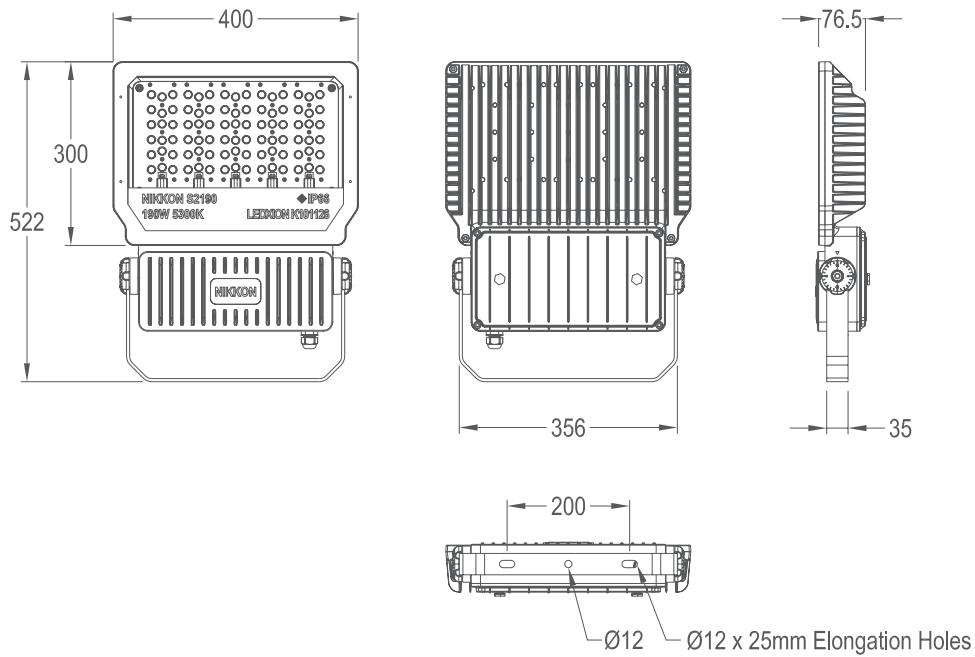
- Historical Buildings, Theatres, Pathways, Corridors & Exhibition Halls



LEDXION S2190 SERIES 190W LED FLOODLIGHT

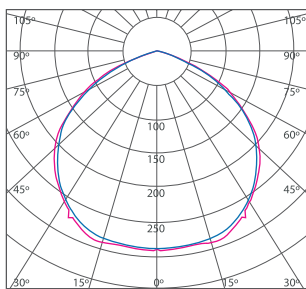


DIMENSION



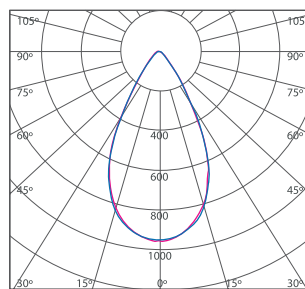
PHOTOMETRIC

100° Wide Beam Angle (WB)



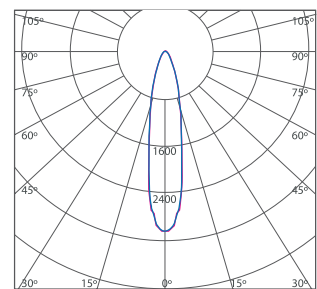
cd/klm
C0/C180: — C90/C270: —

51° Medium Beam Angle (MB)



cd/klm
C0/C180: — C90/C270: —

19° Narrow Beam Angle (NB19)



cd/klm
C0/C180: — C90/C270: —

LED TECHNICAL DATA

Typical Luminous Flux & Efficiency @ 700 mA:

- 280 lm

Max Junction Temperature:

- 150°C

Color Temperature:

- 5300K Daylight

* 3000K Warmwhite is available upon request

LED Life Cycle:

- 50,000 hrs

COMPLIANCE STANDARD

LED:

- LM 80

Driver:

- CE, EN55015, EN61000, EN61547

ORDER CODE

- LEDXION K10126 S2190 190W LED Floodlight

* Please indicate LED color temperature when ordering.

CARTON DIMENSION

- 542(L) mm x 420(W) mm x 115(H) mm

LUMINAIRE TECHNICAL DATA

LED Light Source:

- 5 LED Modules x 18 LUMILEDS LUXEON Rebel ES (190W)

Aiming Angle Indication:

- Ease installation with aiming angle indication mechanism

Membrane:

- IP66 membrane that equalize the pressure within the gear compartment in fast changing environmental conditions

Housing Material:

- Die-cast aluminium finished with durable polyester epoxy powder coating (Akzo Nobel RAL 9006)

Operating Temperature:

- -30°C ~ +45°C

Power Supply:

- 220 ~ 240 Vac 50 / 60Hz
- Constant Current : 700mA
- Dimmable : 1-10V, PWM

* Time Control is available upon request

Surge Protection:

- External SPD 10kV, 20kA

Max System Power Consumption:

- 208W

Total Luminous Flux:

- 22800 lm

Beam Angle:

- WB - 100°
- MB51 - 51°
- NB19 - 19°

Insulation Classification:

- Class I

Ingress Protection:

- IP66 (Lamp & Gear Compartments)

Nett Weight:

- 9.5 kg

APPLICATION

- Historical Buildings, Theatres, Pathways, Corridors & Exhibition Halls

