

**LED SPEC GRADE BOLLARD (XHYP3)**



**DOE LIGHTING FACTS**

Department of Energy has verified representative product test data and results in accordance with its Lighting Facts Program. Visit [www.lightingfacts.com](http://www.lightingfacts.com) for specific catalog strings.

US & Int'l. patents pending

**SMARTTEC™ ENERGY SAVING FEATURES:**

**DRIVER** - State-of-the-art driver technology designed specifically for LSI LED light sources provides unsurpassed system efficiency, control, and protection. Components are fully encased in potting material for IP68 moisture resistance. Driver complies with IEC and FCC standards.

**OPTIONAL INTERNAL MOTION SENSOR** - Doppler motion sensor activates switching of luminaire light levels. High level light is activated when passerby enters target zone and increased to full bright in 2-3 seconds. Low light level (30% of maximum drive current) is activated when target zone is absent of motion activity for 4 minutes and is gradually ramped down (7 seconds) to low level to allow eyes time to adjust. Sensor detection range is 360 degrees horizontal x average of 25' - 30'.

**DUAL BEAM OPTICS** - Utilizes two separate LED arrays to provide more uniform illumination - proprietary to LSI. Results in unprecedented fixture spacing, while providing great uniformity.

**EXPECTED LIFE** - Minimum 60,000 to 100,000 hours depending upon the ambient temperature of the installation location. See LSI website for specific guidance.

**LEDS** - 16 or 30 select high-brightness LEDs in Cool White (5000K) or Neutral White (4000K) color temperature, 70 CRI.

**REFLECTOR/DISTRIBUTION** - 360° or 180° distribution.

**EMERGENCY OPTIONS** - Integral emergency battery-back-up options are available. BB option operates in 0°C to 60°C ambient temperature and CWBB operates in -20°C to 60°C ambient temperature. When primary AC power failure occurs, both options battery operate 10 LEDs in upper ring aperture for a minimum of 90 minutes and exceed NFPA-Life Safety Code requirements for means of egress lighting.

**LOWER HOUSING** - One-piece, heavy-walled, extruded aluminum, .322" thick for vandal resistance. Various heights are available in 6" increments starting at 30" (maximum height is 60"). Lower housing attaches to cast aluminum base plate with four stainless steel roll pins.

**CROWN ASSEMBLY** - Flat or domed, heavy cast aluminum. For added security against vandals, crown attaches to lower housing with four captive, concealed 1/4" x 20 Allen-head screws.

**LENS** - 2 one piece heavy walled borosilicate lenses are recessed .764" and protected by three cast ribs for vandal resistance. Exposed portion of top lens is only .934" tall with the lower lens being only 1.831" tall.

**BASE PLATE** - Extra thick, 1/2" cast T6 treated aluminum base is conversion coated and black powder coated for corrosion resistance.

**OPTIONAL ROUGHNECK REINFORCEMENT** - .375" thick zinc plated, steel base plate with welded U shaped reinforcement. 3/8" diameter 302 stainless steel roll pins with 10,000 lb. shear load.

**ANCHOR BOLTS** - Anchor bolts are 3/8"x10" long heavy duty galvanized steel. Four (4) are furnished.

**ELECTRICAL** - Universal voltage power supply (120-277 VAC 50/60HZ). 347-480V also available. 350 mA standard. Surge protector meets IEEE C62.41.2-2002, Scenario 1 Location Category C.

**OPERATING TEMPERATURE** - -40°C to +50°C (-40°F to +122°F).

**FINISH** - Fixtures are finished with LSI's DuraGrip® polyester powder coat finishing process. The DuraGrip finish withstands extreme weather changes without cracking or peeling.

**WARRANTY** - LSI LED fixtures carry a limited 5-year warranty.

**PHOTOMETRICS** - Please visit our web site at [www.lsi-industries.com](http://www.lsi-industries.com) for detailed photometric data.

**SHIPPING WEIGHT** - 50 lbs.

**LISTING** - Listed to U.S. and Canadian standards. Suitable for wet locations.

LIGHT OUTPUT - XHYP						
Description		# of LEDs	Full Output		Dimmed	
			Lumens	Watts	Lumens	Watts
Cool White	XHYP3-360	30	1690	34	692	12
	XHYP3-180	16	950	20	401	7
	XHYP3-360-30-BB	10	748	20	—	—
Neutral White	XHYP3-360	30	1599	34	—	—
	XHYP3-180	16	856	20	—	—
	XHYP3-360-30-BB	10	—	—	—	—
350mA - Standard						

LED Chips are frequently updated therefore values may increase.

This product, or selected versions of this product, meet the standards listed below. Please consult factory for your specific requirements.



Intertek  
Suitable for wet locations

# LED SPEC GRADE BOLLARD (XHYP3)

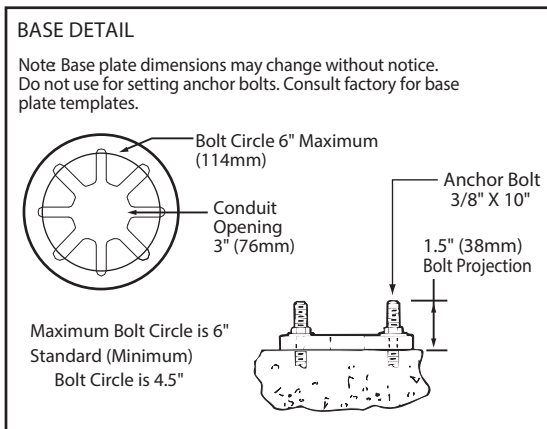
## PRODUCT ORDERING INFORMATION

TYPICAL ORDER EXAMPLE: **AUS XHYP3 360 LED 30 NW UE BRZ DT**

Prefix	Series	Distribution	Light Source	# of LEDs	Color Temp	Input Voltage	Finish	Top	Options
AUS Built for Australia	XHYP3 LED Hyperion	360° 180°	LED	30 16	CW - Cool White (5000K) NW - Neutral White (4000K)	UE - Universal Electronic (120-277)  347-480	BRZ - Bronze BLK - Black PLP - Platinum Plus WHT - White GPT - Graphite SVG - Satin Verde Green MSV - Metallic Silver	FT - Flat Top DT - Dome Top	H - XX (Specify Height) GFR - GFI Duplex Receptacle LAB - Less Anchor Bolts IMS - Integral Motion Sensor PCI 120 - 120v Button Type Photocell PCI 208-277 - 208 - 277v Button Type Photocell PCI 347 - 347 Button Type Photocell RN - RoughNeck Heavy Duty Mtg. Plate BB - Battery Backup <sup>2,3,4</sup> CWBB - Cold Weather Battery Backup <sup>2,3,4</sup> LPC - Lens Protector Casting painted black TB - Terminal Block

- 1- Standard height is 42" for FT and 45" for DT. Non-standard heights are available in 6" increments. Minimum height is 30". Maximum height is 60".
- 2- Not available with 180° Distribution
- 3- Battery Backup & Cold Weather Battery Backup minimum height is 36"
- 4- Battery Backup & Cold Weather Battery Backup is only available in 120-277v.
- 5- Rough Neck option must be entered at time of original order. Can't be switched in field.
- 6- Not CE marked.
- 7- Power consumption 1Watt

**ACCESSORIES**  
ABKIT - Anchor Bolt Kit (BVR) 3/8" x 10" - Galvanized



### DIMENSIONS

