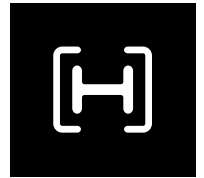


# LED HUB.Nova



CUSTOM DESIGNED AUSTRALIAN OPTICS  
LOWEST ENERGY COMPLIANT PEDESTRIAN  
LUMINAIRE IN AUSTRALIA

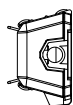
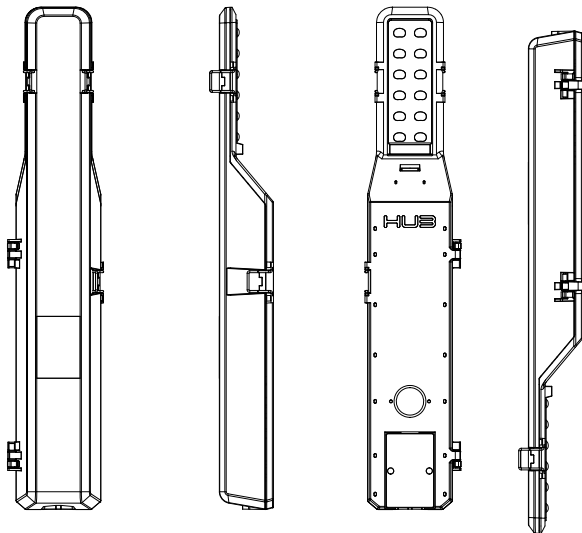
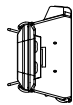
The NOVA by HUB is a high performance Australian standard compliant residential luminaire. The NOVA utilises the latest in high efficiency Cree LED's with optics designed specifically for Australian streets. Manufactured and tested to the highest international standards. Both optical and gear compartment comply with IP66 and with an overall weight of less than 4kg. With the lowest power consumption in Australia this residential Street Light has been developed to ensure maximum compliance for the lowest cost both capital and operational.

**Mains connection:**

Class I/II insulation  
drawing 220-240V AC  
50/60Hz with terminal  
3-pole max 2.5mm<sup>2</sup>.

**Lamps:** LED

**Weight (kg):** 4kg



# LED HUB.Nova



Key features				
CREE High Efficiency chips > 180lm/W				
Custom designed Optics providing full AS1158				
Lowest Power Pedestrian Light in Australia				
Smart control ready				
Manufactured to European and Australian standards				
Construction				
Cast aluminium				
Stainless 316 grade stainless				
Gaskets neutral cured extruded silicone				
Corrosion resistant polyester powder coat available				
Dimensions				
Borealis	Length	Width	Height	Weight
Dimensions (mm)	599,5	120,4	69,5	4 kg
Electrical and Gear				
Total System Wattage < 15W, 133 lm/W				
Class I, 220.240V, AC, 50/60Hz.				
Maintenance				
Long life (70,000-100,000hrs) L80 B10				
High operating temperatures (-30° to 50°C)				
Replaceable/upgradeable Modules				
Compliance				
AS/NZS 1158.3.1				
AS/NZS 1158.6				
IEC 60598				
IK 08				
IP66				
Control option				
No PE control				
D2 PE control				
3 pin, 5 pin, 7 pin Nema Control (Smart City compatible )				

